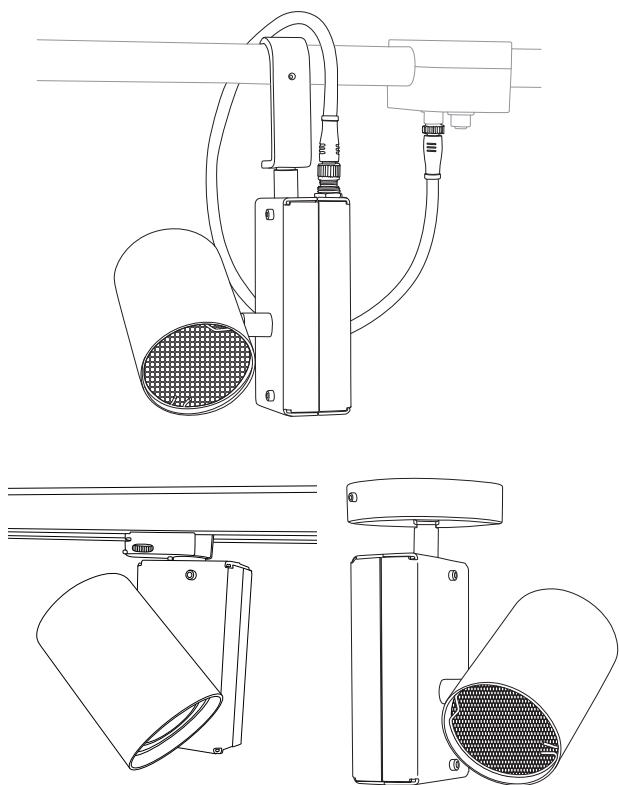
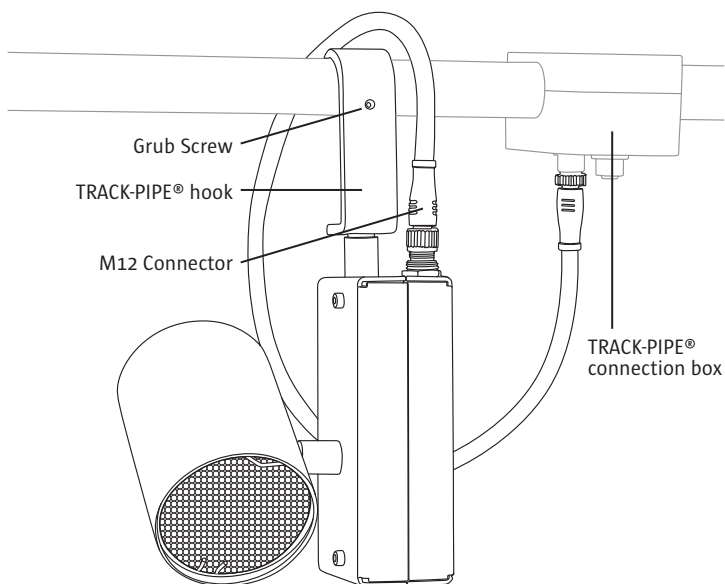


# FACTORYLUX<sup>®</sup>

## NINETY-NINE™ MEDIUM INTEGRAL



### TRACK-PIPE<sup>®</sup> MOUNTING



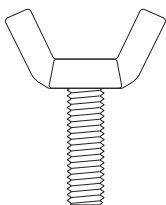
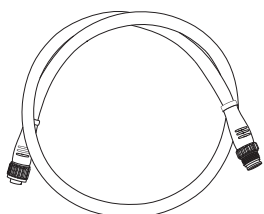
### WHAT'S INCLUDED (TRACK-PIPE<sup>®</sup>)

Power Cable

grub screw

or

wing bolt



### YOUR PRODUCT

Thank you for purchasing this Factorylux product. It has been designed and hand built in the UK to give you many years of reliable service. Please read these user instructions carefully. All user instructions available to download at [factorylux.com](http://factorylux.com)

### WARNING

- **Shut off power before installation, adjusting or handling! Failure to do so will result in irreversible damage to the LED module and failure of the luminaire**
- Light fitting to be installed by a competent person, in accordance with current wiring and building regs. Find an NICEIC registered contractor at [factorylux.com](http://factorylux.com)
- Bathroom installation by authorised contractor only
- For indoor use only
- Shut off power to the circuit before installation
- Install out of arms reach

### TROUBLESHOOTING

No user serviceable parts. In the event of failure, fault or damage shut off power and contact our technical department via [factorylux.com](http://factorylux.com). The light source contained in this luminaire shall only be replaced by the manufacturer or his service agent or a similar qualified person

### HANDLING & CLEANING

**WARNING:** Shut off power and allow to cool

- Wipe gently with a dry, soft, cotton cloth
- Cleaning products, scratching, abrasion, damp, oils, liquids etc may have a detrimental effect

### ADJUSTING (LUMINAIRE)

Luminaire rotates on 2 axes (neck + tube) for focus/beam manipulation through 360°

### STAY UP TO DATE

We post regular design and product information via social media and our blog. You can also contact us via instant support or email [support@factorylux.com](mailto:support@factorylux.com)



### TOOLS REQUIRED (TRACK-PIPE<sup>®</sup>)

- 2.5mm Allen key

### INSTALLATION NOTES (TRACK-PIPE<sup>®</sup>)

- Factorylux hook clamp is compatible with Factorylux TRACK-PIPE<sup>®</sup> only
- Grub screw / wing bolt designed to 'lock' spotlight movement in vertical position only

### INSTALLATION (TRACK-PIPE<sup>®</sup>)

**WARNING:** Light fitting to be insulated and earthed in accordance with current wiring regs.

1. Switch off power to TRACK-PIPE<sup>®</sup> for at least 1 minute
2. Place luminaire hook over TRACK-PIPE<sup>®</sup> in desired location
3. Secure in place with wing bolt or grub screw using 2.5mm hex key
4. Locate the M12 plug connector on the cable and insert into the M12 socket connector on the TRACK-PIPE<sup>®</sup> connection box. Rotate the plug to align the lug on the plug with the slot in the socket (**CAUTION:** rotate with care to locate, do not force)
5. Push the connectors together and rotate the locking collar clockwise with your fingers until hand-tight.
6. Repeat the same process to locate the power cable socket connector into the M12 plug connector of the NINETY-NINE™ body.

### ADJUSTING (TRACK-PIPE<sup>®</sup>)

**WARNING:** Shut off power and allow to cool

- Disconnect power cable from TRACK-PIPE<sup>®</sup>
- Loosen wing bolt or grub screw to free the hook clamp from TRACK-PIPE<sup>®</sup>
- Reposition spotlight as desired
- Tighten wing bolt or grub screw just enough to prevent movement
- Connect the power cable to required TRACK-PIPE<sup>®</sup> socket

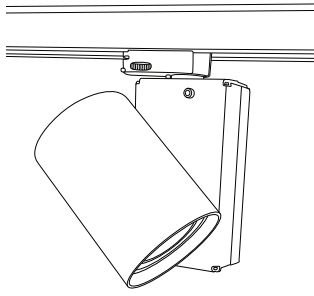
Designed, made & tested in the UK to BS EN 60598 / BS 4533  
1\_INS\_NINETY-NINE-M-Integral\_1811

© Factorylux. All rights reserved. Factorylux is a registered trade mark

Factorylux | Greenhill Mills | Hebden Bridge | HX7 5QF | United Kingdom



## TRACK MOUNTING



## INSTALLATION (TRACK)

- We have assembled this luminaire with the chosen track adapter. Please follow track adapter manufacturers instructions for installation, and adjusting instructions

## ADJUSTING (TRACK)

**WARNING:** Shut off power and allow to cool

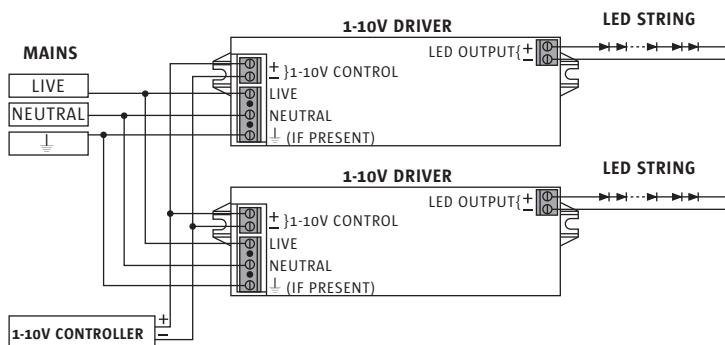
- Disconnect power from track for one minute before adjusting luminaire
- Follow track adapter manufacturers recommendation for repositioning luminaire

## WIRING DIAGRAMS

**NOTE:** For rated voltage and wattage, see light fitting. For rated current, refer to product data sheet

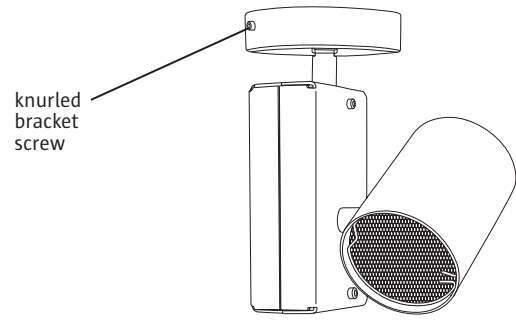
**WARNING:** Your driver has been specified to match the power and thermal requirements of your Xicato LED module. Using an alternative driver may invalidate your warranty

## WIRING DIAGRAM: 0-10V / 1-10V

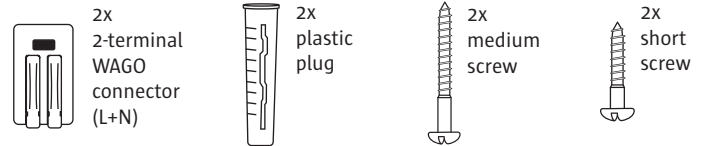


\* Diagram is indicative, check terminal locations on your driver before wiring

## MONOPOINT MOUNTING



## WHAT'S INCLUDED (MONOPOINT)



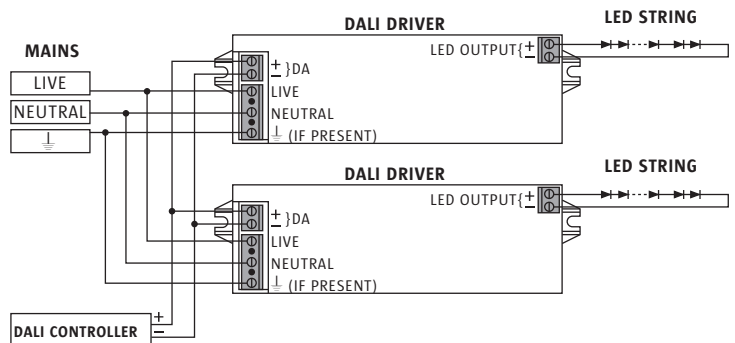
## TOOLS REQUIRED (MONOPOINT)

- Drill + 6mm masonry bit
- 6mm + 4mm + 3mm flat head screwdrivers

## INSTALLATION (MONOPOINT)

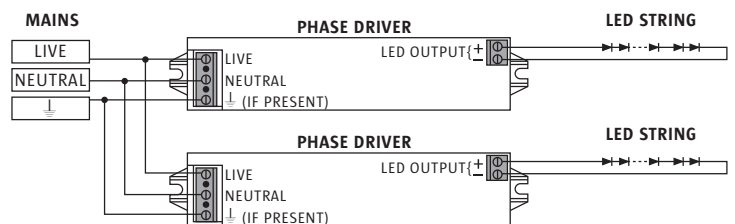
- Drill 2 x 6mm holes x 30mm deep at 50.8mm centre spacings
- Insert plastic plugs into holes
- Use 6mm screwdriver and supplied medium screws to fix to surface (alternatively, use supplied short screws only to fix to a timber surface)
- Use supplied WAGO connectors to make connections to driver
  - Flip integrated orange lever up to open position
  - Insert exposed conductor to stopping point
  - Return lever to closed position
- Re-attach enclosure to bracket using knurled bracket screws

## WIRING DIAGRAM: DALI



\* Diagram is indicative, check terminal locations on your driver before wiring

## WIRING DIAGRAM: PHASE



\* Diagram is indicative, check terminal locations on your driver before wiring