

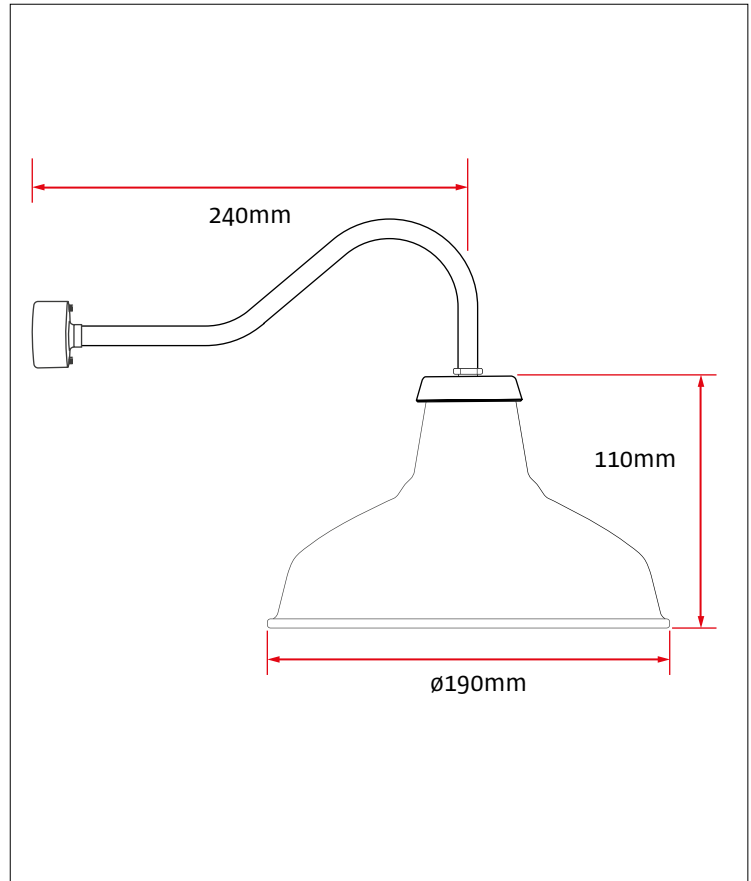
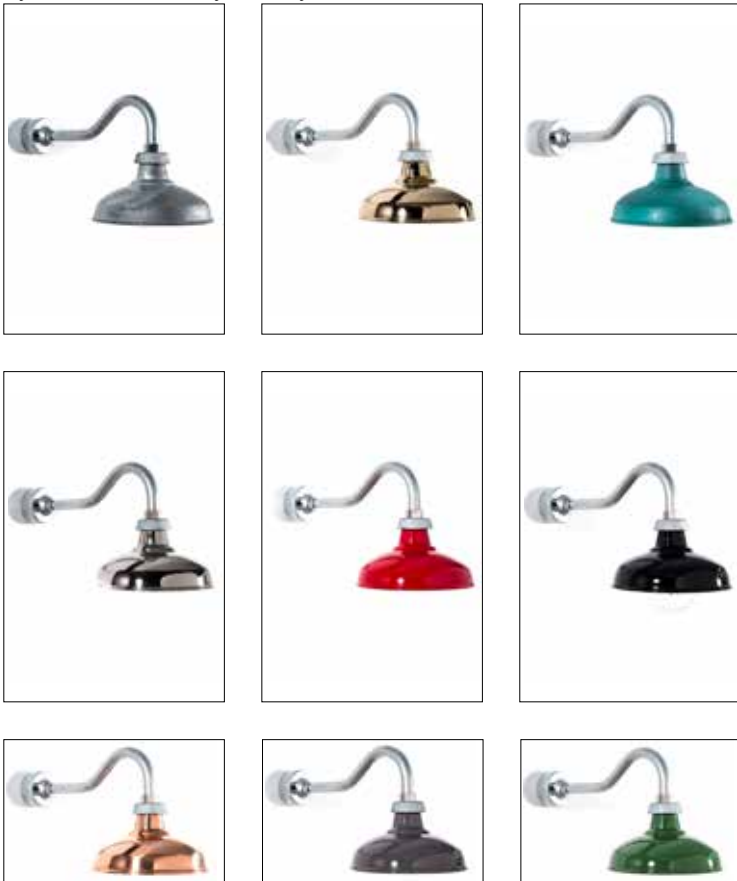


### PERFORMANCE DATA

Light Source:	Xicato XTM Xicato XIM	
Supply Voltage:	230V AC [Xicato XTM with remote driver] 48V DC [Xicato XIM, no remote driver]	
IP Rating:	IP20 / IP65	
CRI:	+80 [Xicato Standard Series] +95 [Xicato Artist Series]	
Luminous Flux:	0 - 1300lm @ +80 CRI [XTM Standard] 0 - 1000lm @ +95 CRI [XTM Artist] 0 - 1000lm @ +80 CRI [XIM Standard] 0 - 500lm @ +95 CRI [XIM Artist]	
Luminaire Efficacy:	up to 160lm/w	
Colour Temperature:	2700K, 3000K, 3500K, 4000K	
Colour Consistency:	≤ 1x2 MacAdam Ellipses at 70°C, B0	
Colour Stability:	<0.003 Δ u',v' 50,000 hrs	
Lumen Maintenance:	50,000 hrs L70/B0	
Beam Angles:	15°, 25°, 38°, 60°, wide diffused, ultra wide diffused UGR Filter Lens	
Accessories:	Concentric Louvre Frosted Lens	Spreader Lens
Operating Temp:	Ambient -20°C/+30°C	
Control:	Switched 1-10V Bluetooth (Xicato GaLaXi)	DALI Phase Dim

### PRODUCT DESCRIPTION

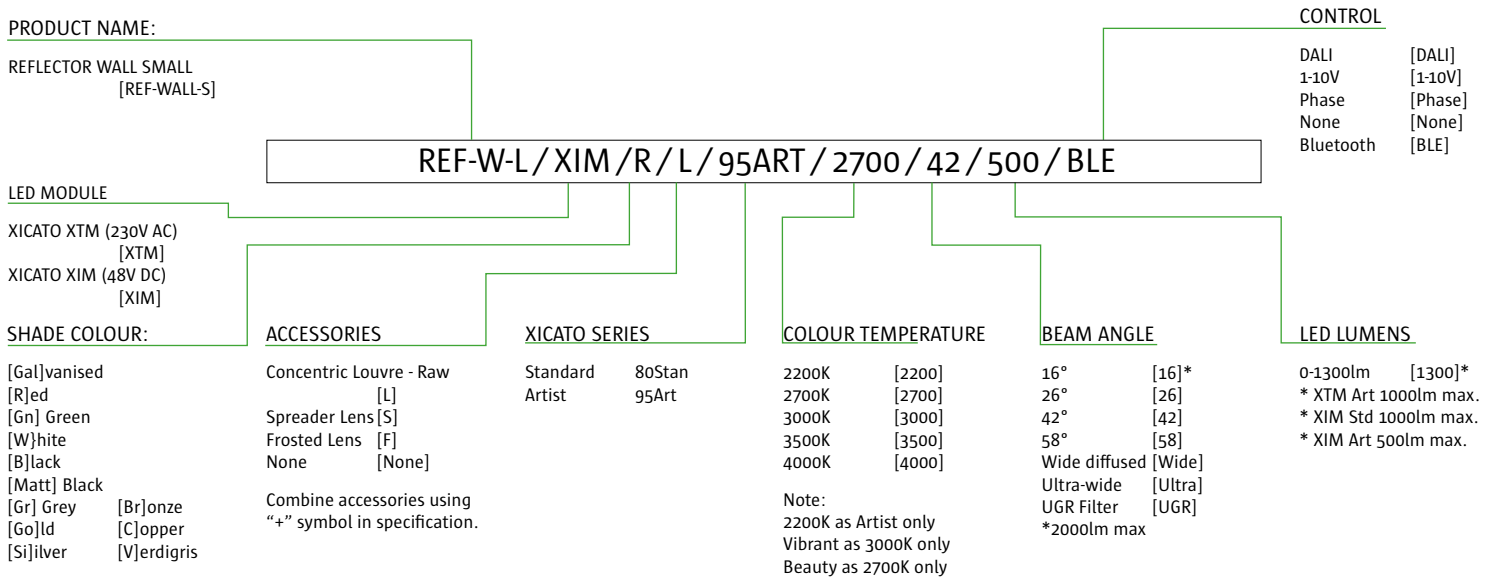
The REFLECTOR WALL Small is made from heavy gauge steel finished with vitreous enamel in a range of classic colours, galvanised, silver or gold plated, solid copper or verdigris, and coupled with Xicato light sources. All Factorylux luminaires are made in the UK and tested to BS EN 60598. Thermally validated and covered by Xicato's 5-year colour consistency warranty.



### CONSTRUCTION

Shade Material:	Low Carbon Steel	Weight:	1.1 kg
Shade Finish:	Galvanised	Mounting:	Galvanised steel swan neck, pattress mounting
Vitreous Enamel:	Red, Green, White, Black, Matt Black, Grey	Manufacture:	UK
Plated:	Gold, Nickel Silver, Bronze		
Solid Copper:	Copper, Verdigris		

### SPECIFICATION / PRODUCT CODE



### TYPICAL LED SPECIFICATION EXAMPLES

#### XTM Standard +80 CRI

LED Luminous Flux:	720lm	965lm	1300lm
Power Consumption (typ):	4.5W	6.6W	9.5W
Current (mA):	350mA	500mA	700mA
Luminaire Efficacy:	160lm/W	146lm/W	137lm/W

#### XTM Artist +95 CRI

LED Luminous Flux:	720lm	1000lm
Power Consumption (typ):	6.3W	9.2W
Current (mA):	350mA	500mA
Luminaire Efficacy:	114lm/W	104lm/W

#### XIM Standard +80 CRI

LED Luminous Flux:	650lm	1000lm
Power Consumption (typ):	5.7W	8.6W
Power Consumption (max):	12.6W	12.6W
Luminaire Efficacy:	115lm/W	113lm/W

#### XIM Artist +95 CRI

LED Luminous Flux:	500lm
Power Consumption (typ):	7.2W
Power Consumption (max):	7.4W
Luminaire Efficacy:	88lm/W

### DRIVERS [CONSTANT CURRENT] - XICATO XTM (230V AC)

For Xicato XTM LED source, the following 2 driver types are used.

Typically, for output under 2000lm: 20W eldoLED SOLOdrive; for over 2000lm: 50W eldoLED SOLOdrive.



#### EldoLED 20W SOLOdrive

Nominal input voltage:	220-240V AC	Control Protocol:	DALI (SOLOdrive 240/A) 1-10V (SOLOdrive 241/A)			
Maximum input current:	0.15 A	Dimming range:	100% - 0.1%			
Maximum inrush current:	1 A's @230V / 50Hz	Size:	160 x 42 x 31 mm			
Efficiency at full load:	80%	Weight:	125 g			
Power factor at full load:	> 0.95	ACB Loading:	Type	B/C10	B/C13	B/C16
Maximum output power:	20 W	Max driver qty		66	86	106
LED output range:	150-1050 mA					

### CABLE DISTANCE TABLE - XICATO XTM (230V AC)

#### MAXIMUM WIRING DISTANCE AT FULL LOAD

##### ELDOLED SOLODRIVE 20W

AWG VALUE	20	19	18	17	16
Distance (m)	14	18	22	28	36
Distance (ft)	46	59	72	92	118

Standard fabric cable = 0.75mm<sup>2</sup> CSA (18 AWG). 1.5mm<sup>2</sup> CSA (16 AWG) available on request

### CABLE DISTANCE TABLE - XICATO XIM (48V DC)

For Xicato XIM LED source using 1.5mm<sup>2</sup> cable cores between PSU and luminaire, maximum distance (m) between PSU and luminaire for a given quantity of luminaires below:

LUMENS / LED MODULE	LUMINAIRE QTY													
	1	2	3	4	5	6	7	8	9	10	15	20	25	30
500lm ARTIST	249m	124m	83m	62m	49m	41m	35m	31m	27m	24m	16m	12m	9m	8m
675lm STANDARD	377m	188m	125m	94m	75m	62m	53m	47m	41m	37m	25m	18m	15m	12m
1000lm STANDARD	377m	188m	125m	94m	75m	62m	53m	47m	41m	37m	25m	18m	15m	12m

### ELECTRICAL CALCULATION - XICATO XIM (48V DC)

It is recommended that 1.5mm<sup>2</sup> CSA cables are used for wiring between PSU and the luminaire (0.75mm<sup>2</sup> CSA cable is used for drop from ceiling rose to shade/LED).

For 1.5mm<sup>2</sup> cable cores:

Max cable distance to furthest luminaire (m)  
=  $4760 \div \text{Total Luminaires Power (W)}$

CAUTION: POWER NOT TO EXCEED MAX CURRENT RATING OF CABLE (738 W for 1.5mm<sup>2</sup> / 16A MAX).

PSU RATING TO CONSIDER TOTAL LUMINAIRE POWER + CABLE + SAFETY CONTINGENCY

CONSULT AN ELECTRICAL ENGINEER FOR FURTHER ADVICE

### INSTALLATION EXAMPLES - XICATO XIM (48V DC)

Assuming the use of typical 48V Power Supply Unit power ratings [Inventronics EUV range]:

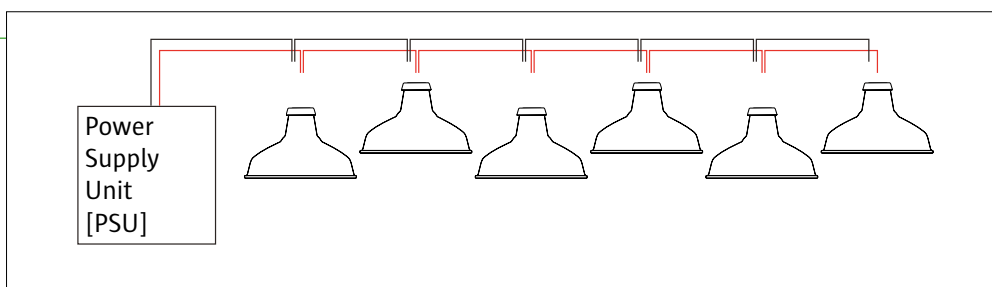
52W    100W    150W    200W    250W    300W    500W

6 x XIM Artist. 1.5mm<sup>2</sup> cable cores

LED output (lm): 500  
W(max) per luminaire: 7.4

Total Luminaire Power (W): 44.4  
[W(max) per luminaire x luminaire qty]

PSU W(min): 52  
Max cable distance (m): 107



18 x XIM Standard. 1.5mm<sup>2</sup> cable cores

LED output (lm): 1300  
W(max) per luminaire: 12.6

Total Luminaire Power (W): 226.8  
[W(max) per luminaire x luminaire qty]

PSU W(min): 250  
Max cable distance (m): 21

