

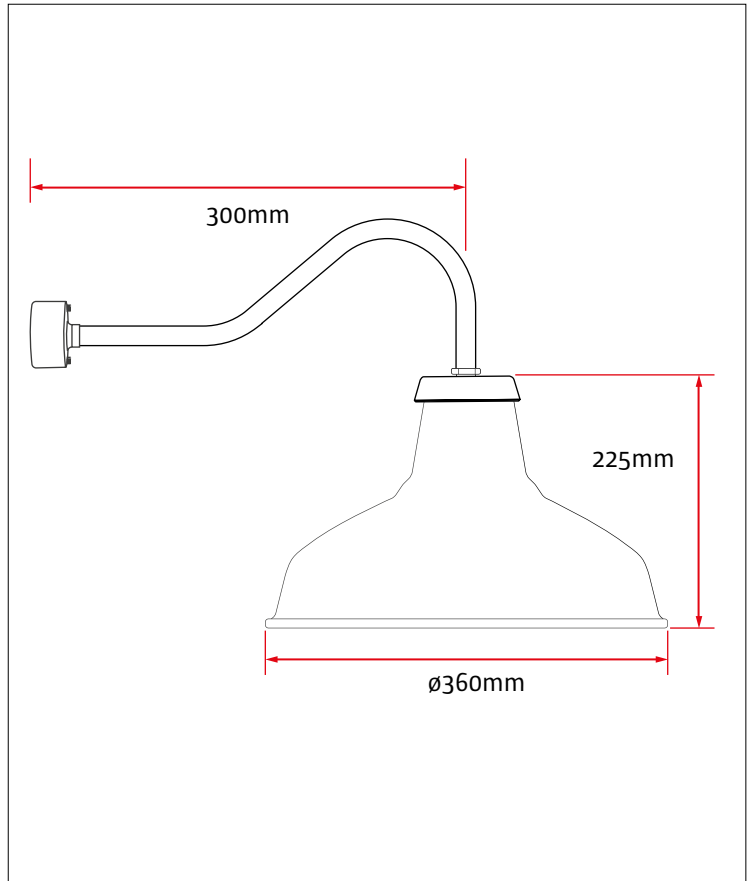
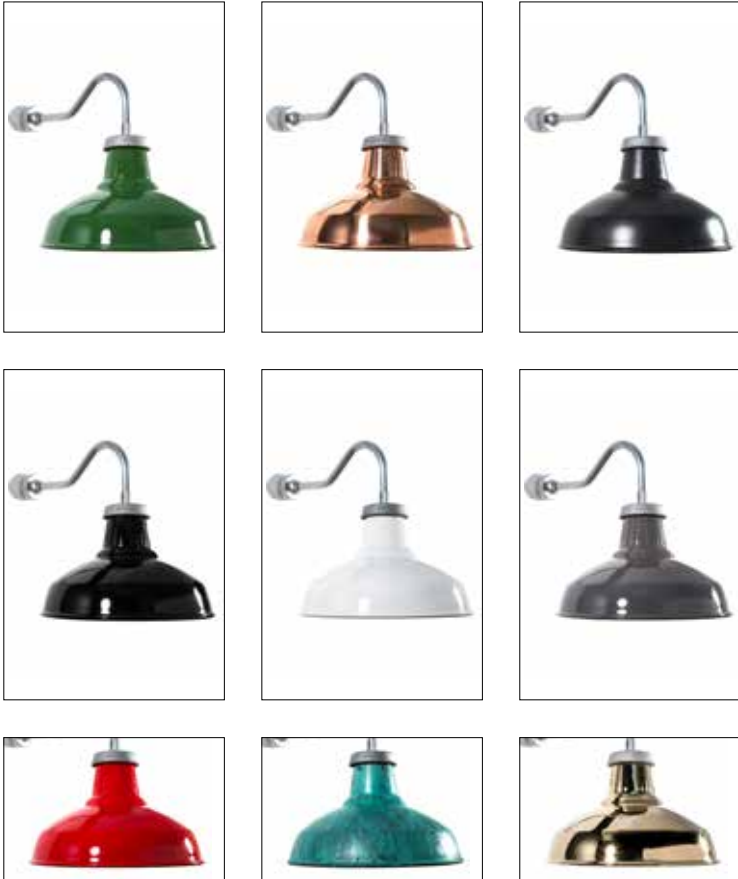


PERFORMANCE DATA

Light Source:	Xicato XTM Xicato XIM	
Supply Voltage:	230V AC [Xicato XTM with remote driver] 48V DC [Xicato XIM, no remote driver]	
IP Rating:	IP20	
CRI:	+80 [Xicato Standard Series] +95 [Xicato Artist Series]	
Luminous Flux:	0 - 5000lm @ +80 CRI [XTM Standard] 0 - 4000lm @ +95 CRI [XTM Artist] 0 - 3000lm @ +80 CRI [XIM Standard] 0 - 3000lm @ +95 CRI [XIM Artist]	
Luminaire Efficacy:	up to 160lm/w	
Colour Temperature:	2700K, 3000K, 3500K, 4000K	
Colour Consistency:	≤ 1x2 MacAdam Ellipses at 70°C, B0	
Colour Stability:	<0.003 Δ u',v' 50,000 hrs	
Lumen Maintenance:	50,000 hrs L70/B0	
Beam Angles:	15°, 25°, 38°, 60°, wide diffused, ultra wide diffused UGR Filter Lens	
Accessories:	Concentric Louvre	Spreader Lens
Operating Temp:	Ambient -20°C/+30°C	
Control:	Switched 1-10V Bluetooth (Xicato GaLaXi)	DALI Phase Dim

PRODUCT DESCRIPTION

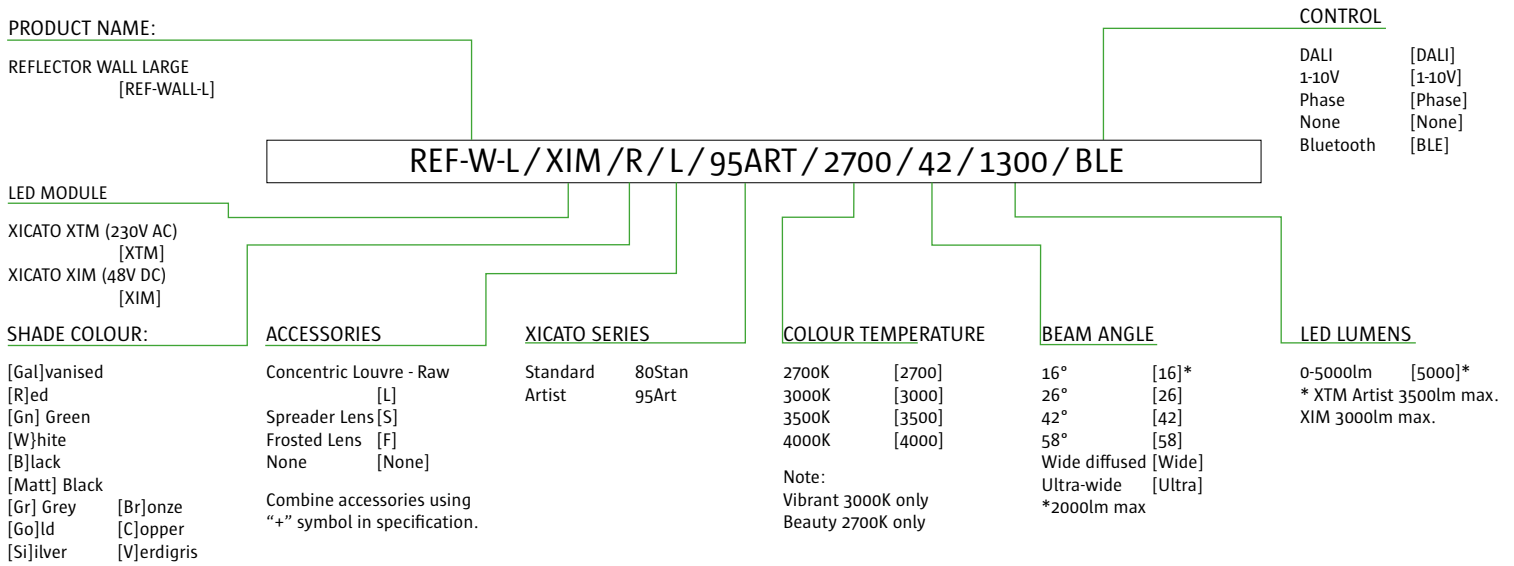
The REFLECTOR WALL Large is made from heavy gauge steel finished with vitreous enamel in a range of classic colours, galvanised, silver or gold plated, solid copper or verdigris, and coupled with Xicato light sources. All Factorylux luminaires are made in the UK and tested to BS EN 60598. Thermally validated and covered by Xicato's 5-year colour consistency warranty.



CONSTRUCTION

Shade Material:	Low Carbon Steel	Weight:	2.6 kg
Shade Finish:	Galvanised	Mounting:	Galvanised steel swan neck, pattress mounting
Vitreous Enamel:	Red, Green, White, Black, Matt Black, Grey	Manufacture:	UK
Plated:	Gold, Nickel Silver, Bronze		
Solid Copper:	Copper, Verdigris		

SPECIFICATION / PRODUCT CODE



TYPICAL LED SPECIFICATION EXAMPLES

XTM Standard +80 CRI

LED Luminous Flux:	720lm	965lm	1300lm	2000lm	3000lm	4000lm	5000lm
Power Consumption (typ):	4.5W	6.6W	9.5W	15.2W	25.7W	34.2W	41.8W
Current (mA):	350mA	500mA	700mA	700mA	1050mA	1400mA	1400mA
Luminaire Efficacy:	160lm/W	146lm/W	137lm/W	131lm/W	117lm/W	117lm/W	120lm/W

XTM Artist +95 CRI

LED Luminous Flux:	720lm	965lm	1300lm	2000lm	3000lm	4000lm
Power Consumption (typ):	6.3W	9.2W	13.3W	20.0W	30.5W	45.6W
Current (mA):	350mA	500mA	700mA	1050mA	1050mA	1400mA
Luminaire Efficacy:	114lm/W	104lm/W	98lm/W	100lm/W	98lm/W	88lm/W

XIM Standard +80 CRI

LED Luminous Flux:	650lm	975lm	1300lm	2000lm	3000lm
Power Consumption (typ):	5.7W	8.6W	11.9W	18.1W	29.8W
Power Consumption (max):	12.6W	12.6W	12.6W	19.1W	31.3W
Luminaire Efficacy:	115lm/W	113lm/W	110lm/W	111lm/W	101lm/W

XIM Artist +95 CRI

LED Luminous Flux:	650lm	975lm	1300lm	2000lm	3000lm
Power Consumption (typ):	7.4W	11.6W	16.2W	24.2W	35.3W
Power Consumption (max):	7.2W	17.2W	17.2W	25.4W	37.0W
Luminaire Efficacy:	88lm/W	84lm/W	80lm/W	82lm/W	85lm/W

DRIVERS [CONSTANT CURRENT] - XICATO XTM (230V AC)

For Xicato XTM LED source, the following 2 driver types are used.

Typically, for output under 2000lm: 20W eldoLED SOLOdrive; for over 2000lm: 50W eldoLED SOLOdrive.



EldoLED 20W SOLOdrive

Nominal input voltage:	220-240V AC	Control Protocol:	DALI (SOLOdrive 240/A) 1-10V (SOLOdrive 241/A)			
Maximum input current:	0.15 A	Dimming range:	100% - 0.1%			
Maximum inrush current:	1 A ² s @230V / 50Hz	Size:	160 x 42 x 31 mm			
Efficiency at full load:	80%	Weight:	125 g			
Power factor at full load:	> 0.95	ACB Loading:	Type	B/C10	B/C13	B/C16
Maximum output power:	20 W	Max driver qty	66	86	106	
LED output range:	150-1050 mA					



EldoLED 50W SOLOdrive

Nominal input voltage:	120-250V AC	Control Protocol:	DALI (SOLOdrive 560/A) 1-10V (SOLOdrive 561/A)			
Maximum input current:	0.7 A	Dimming range:	100% - 0.1%			
Maximum inrush current:	30 mA ² s @277V / 50Hz	Size:	153 x 77 x 30 mm			
Efficiency at full load:	87%	Weight:	293 g			
Power factor at full load:	> 0.9	ACB Loading:	Type	B/C10	B/C13	B/C16
Maximum output power:	50 W	Max driver qty	14	18	22	
LED output range:	150-1400 mA					

*Further details can be found at www.eldoled.com

CABLE DISTANCE TABLE - XICATO XTM (230V AC)

MAXIMUM WIRING DISTANCE AT FULL LOAD

ELDOLED SOLODRIVE 20W

AWG VALUE	20	19	18	17	16
Distance (m)	14	18	22	28	36
Distance (ft)	46	59	72	92	118

ELDOLED SOLODRIVE 50W

AWG VALUE	20	19	18	17	16
Distance (m)	14	18	22	28	36
Distance (ft)	46	59	72	92	118

Standard fabric cable = 0.75mm² CSA (18 AWG). 1.5mm² CSA (16 AWG) available on request

CABLE DISTANCE TABLE - XICATO XIM (48V DC)

For Xicato XIM LED source using 1.5mm² cable cores between PSU and luminaire, maximum distance (m) between PSU and luminaire for a given quantity of luminaires below:

LUMENS / LED MODULE	LUMINAIRE QTY													
	1	2	3	4	5	6	7	8	9	10	15	20	25	30
675lm ARTIST	249m	124m	83m	62m	49m	41m	35m	31m	27m	24m	16m	12m	9m	8m
675lm STANDARD	377m	188m	125m	94m	75m	62m	53m	47m	41m	37m	25m	18m	15m	12m
975lm ARTIST	249m	124m	83m	62m	49m	41m	35m	31m	27m	24m	16m	12m	9m	8m
975lm STANDARD	377m	188m	125m	94m	75m	62m	53m	47m	41m	37m	25m	18m	15m	12m
1300lm ARTIST	249m	124m	83m	62m	49m	41m	35m	31m	27m	24m	16m	12m	9m	
1300lm STANDARD	377m	188m	125m	94m	75m	62m	53m	47m	41m	37m	25m	18m	15m	12m
2000lm ARTIST	187m	93m	62m	46m	37m	31m	26m	23m	20m	18m	12m	9m		
2000lm STANDARD	276m	138m	92m	69m	55m	46m	39m	34m	30m	27m	18m	13m	11m	
3000lm ARTIST	128m	64m	42m	32m	25m	21m	18m	16m	14m	12m				
3000lm STANDARD	152m	76m	50m	38m	30m	25m	21m	19m	16m	15m	10m			

ELECTRICAL CALCULATION - XICATO XIM (48V DC)

It is recommended that 1.5mm² CSA cables are used for wiring between PSU and the luminaire (0.75mm² CSA cable is used for drop from ceiling rose to shade/LED).

For 1.5mm² cable cores:

Max cable distance to furthest luminaire (m)
= 4760 ÷ Total Luminaires Power (W)

CAUTION: POWER NOT TO EXCEED MAX CURRENT RATING OF CABLE (738 W for 1.5mm² / 16A MAX).

PSU RATING TO CONSIDER TOTAL LUMINAIRE POWER + CABLE + SAFETY CONTINGENCY

CONSULT AN ELECTRICAL ENGINEER FOR FURTHER ADVICE

INSTALLATION EXAMPLES - XICATO XIM (48V DC)

Assuming the use of typical 48V Power Supply Unit power ratings [Inventronics EUV range]:

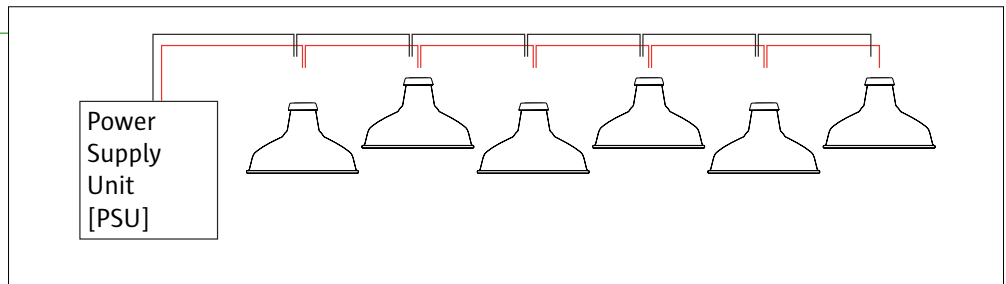
52W 100W 150W 200W 250W 300W 500W

6 x XIM Artist. 1.5mm² cable cores

LED output (lm): 1300 2000 3000
W(max) per luminaire: 17.2 25.4 37.0

Total Luminaire Power (W): 103.2 152.4 222.0
[W(max) per luminaire x luminaire qty]

PSU W(min): 150 200 250
Max cable distance (m): 46 31 21



18 x XIM Standard. 1.5mm² cable cores

LED output (lm): 1300 2000
W(max) per luminaire: 12.6 19.1

Total Luminaire Power (W): 226.8 343.8
[W(max) per luminaire x luminaire qty]

PSU W(min): 250 500
Max cable distance (m): 21 13.5

