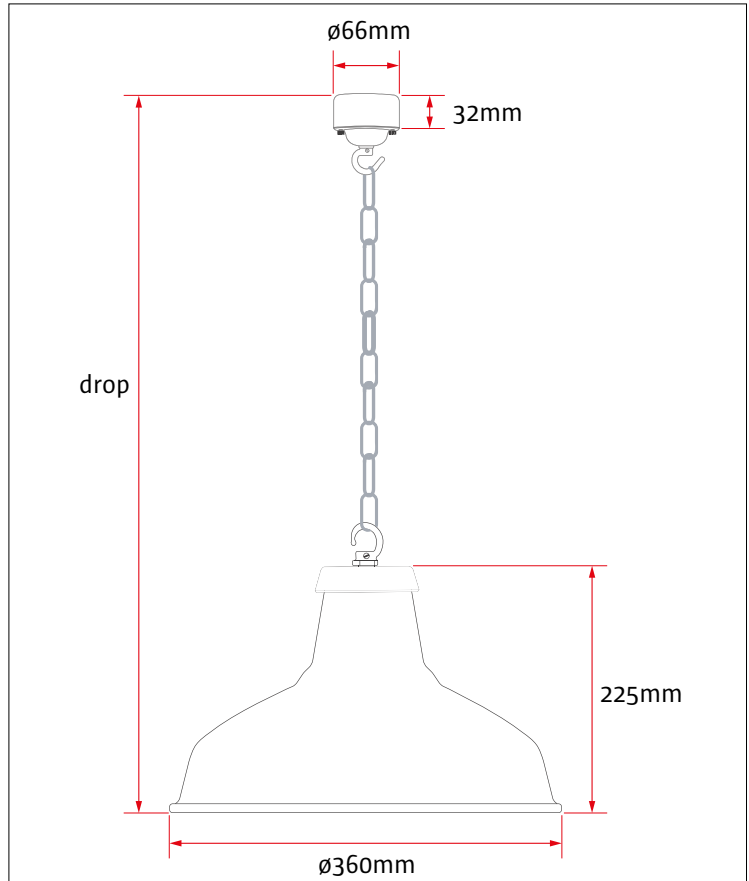
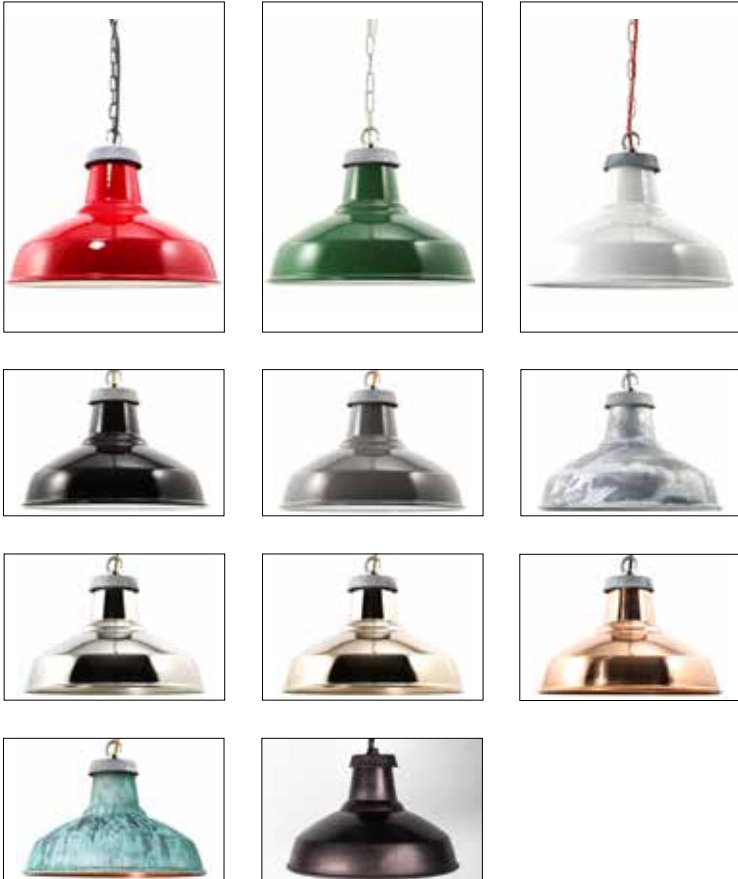


### PERFORMANCE DATA

Light Source:	Xicato XTM Xicato XIM	
Supply Voltage:	230V AC [Xicato XTM with remote driver] 48V DC [Xicato XIM, no remote driver]	
IP Rating:	IP20 / IP65	
CRI:	+80 [Xicato Standard Series] +95 [Xicato Artist Series]	
Luminous Flux:	0 - 5000lm @ +80 CRI [XTM Standard] 0 - 4000lm @ +95 CRI [XTM Artist] 0 - 3000lm @ +80 CRI [XIM Standard] 0 - 3000lm @ +95 CRI [XIM Artist]	
Luminaire Efficacy:	up to 160lm/w	
Colour Temperature:	2700K, 3000K, 3500K, 4000K	
Colour Consistency:	≤ 1x2 MacAdam Ellipses at 70°C, B0	
Colour Stability:	<0.003 Δ u',v' 50,000 hrs	
Lumen Maintenance:	50,000 hrs L70/B0	
Beam Angles:	15°, 25°, 38°, 60°, wide diffused, ultra wide diffused UGR Filter Lens	
Accessories:	Concentric Louvre	Spreader Lens
Operating Temp:	Ambient -20°C/+30°C	
Control:	Switched 1-10V Bluetooth (Xicato GaLaXi)	DALI Phase Dim

### PRODUCT DESCRIPTION

The REFLECTOR Large is made from heavy gauge steel finished with vitreous enamel in a range of classic colours, galvanised, silver or gold plated, solid copper or verdigris, and coupled with Xicato light sources. All Factorylux pendants are made in the UK and tested to BS EN 60598. Thermally validated and covered by Xicato's 5-year colour consistency warranty.



### CONSTRUCTION

Shade Material:	Low Carbon Steel	Chain Finish:	Black, Galvanised, White Roller Chain
Shade Finish:	Galvanised	Weight:	2.45 kg (based on 2000mm drop)
Vitreous Enamel:	Red, Green, White, Black, Matt Black, Grey	Mounting:	Hooked Pattress TRACK-PIPE® Hook Track Connector Ceiling driver box / knockout box
Plated:	Gold, Nickel Silver, Bronze	Mounting Colour:	Black, Galvanised/Raw Custom colour on request
Solid Copper:	Copper, Verdigris	Manufacture:	UK
Cable Type:	2 core round, fabric covered, 0.75mm CSA		
Cable Colours:	Jet Black, Bright Red, Grey, White Custom colour on request		

### SPECIFICATION / PRODUCT CODE

<b>PRODUCT NAME:</b> REFLECTOR L [REF-L] REFLECTOR IP65 L [REF-IP-L]* *3800lm max		<b>REF-L / XIM / R / BHP / B500 / BCH / L / 95ART / 2700 / 25 / 1300 / BLE</b>		<b>CONTROL</b> DALI [DALI] 1-10V [1-10V] Phase [Phase] None [None] Bluetooth [BLE]	
<b>LED MODULE</b> XICATO XTM (230V AC) [XTM] XICATO XIM (48V DC) [XIM]		<b>MOUNTING</b> TRACK-PIPE® [TP] Hooked Pattress Black [BHP] Hooked Pattress Galv [GalHP] 3-Circuit Track [3Track]		<b>LED LUMENS</b> 0-5000lm [5000]* * XTM Artist 3500lm max. XIM 3000lm max.	
<b>SHADE COLOUR:</b> [Gal]vanised [R]ed [Gn] Green [W]hite [B]lack [Matt] Black [Gr] Grey [Br]onze [Go]ld [C]opper [Si]lver [V]erdigris		<b>CABLE COLOUR / DROP:</b> [B]lack 0-5000mm [W]hite [5000] [R]ed [Gr]ey		<b>COLOUR TEMPERATURE</b> 2700K [2700] 3000K [3000] 3500K [3500] 4000K [4000]	
<b>CHAIN FINISH</b> Black [BCH] Galvanised [GalCH] White Roller [WRol]		<b>XICATO SERIES</b> Standard 80Stan Artist 95Art		<b>ACCESSORIES</b> Concentric Louvre - Raw [L] Spreader Lens [S] Frosted Lens [F] None [None]	
		<b>ACCESSORIES</b> Combine accessories using "+" symbol in specification.		<b>BEAM ANGLE</b> 15° [15]* 25° [25] 38° [38] 60° [60] Wide diffused [Wide] Ultra-wide [Ultra] *2000lm max	
		<b>ACCESSORIES</b> Note: Vibrant 3000K only Beauty 2700K only			

### TYPICAL LED SPECIFICATION EXAMPLES

#### XTM Standard +80 CRI

LED Luminous Flux:	720lm	965lm	1300lm	2000lm	3000lm	4000lm	5000lm
Power Consumption (typ):	4.5W	6.6W	9.5W	15.2W	25.7W	34.2W	41.8W
Current (mA):	350mA	500mA	700mA	700mA	1050mA	1400mA	1400mA
Luminaire Efficacy:	160lm/W	146lm/W	137lm/W	131lm/W	117lm/W	117lm/W	120lm/W

#### XTM Artist +95 CRI

LED Luminous Flux:	720lm	965lm	1300lm	2000lm	3000lm	4000lm
Power Consumption (typ):	6.3W	9.2W	13.3W	20.0W	30.5W	45.6W
Current (mA):	350mA	500mA	700mA	1050mA	1050mA	1400mA
Luminaire Efficacy:	114lm/W	104lm/W	98lm/W	100lm/W	98lm/W	88lm/W

#### XIM Standard +80 CRI

LED Luminous Flux:	650lm	975lm	1300lm	2000lm	3000lm
Power Consumption (typ):	5.7W	8.6W	11.9W	18.1W	29.8W
Power Consumption (max):	12.6W	12.6W	12.6W	19.1W	31.3W
Luminaire Efficacy:	115lm/W	113lm/W	110lm/W	111lm/W	101lm/W

#### XIM Artist +95 CRI

LED Luminous Flux:	650lm	975lm	1300lm	2000lm	3000lm
Power Consumption (typ):	7.4W	11.6W	16.2W	24.2W	35.3W
Power Consumption (max):	7.2W	17.2W	17.2W	25.4W	37.0W
Luminaire Efficacy:	88lm/W	84lm/W	80lm/W	82lm/W	85lm/W

### DRIVERS [CONSTANT CURRENT] - XICATO XTM (230V AC)

For Xicato XTM LED source, the following 2 driver types are used.

Typically, for output under 2000lm: 20W eldoLED SOLOdrive; for over 2000lm: 50W eldoLED SOLOdrive.



#### EldoLED 20W SOLOdrive

Nominal input voltage:	220-240V AC	Control Protocol:	DALI (SOLOdrive 240/A) 1-10V (SOLOdrive 241/A)			
Maximum input current:	0.15 A	Dimming range:	100% - 0.1%			
Maximum inrush current:	1 A's @230V / 50Hz	Size:	160 x 42 x 31 mm			
Efficiency at full load:	80%	Weight:	125 g			
Power factor at full load:	> 0.95	ACB Loading:	Type	B/C10	B/C13	B/C16
Maximum output power:	20 W	Max driver qty	66	86	106	
LED output range:	150-1050 mA					



#### EldoLED 50W SOLOdrive

Nominal input voltage:	120-250V AC	Control Protocol:	DALI (SOLOdrive 560/A) 1-10V (SOLOdrive 561/A)			
Maximum input current:	0.7 A	Dimming range:	100% - 0.1%			
Maximum inrush current:	30 mA's @277V / 50Hz	Size:	153 x 77 x 30 mm			
Efficiency at full load:	87%	Weight:	293 g			
Power factor at full load:	> 0.9	ACB Loading:	Type	B/C10	B/C13	B/C16
Maximum output power:	50 W	Max driver qty	14	18	22	
LED output range:	150-1400 mA					

\*Further details can be found at [www.eldoled.com](http://www.eldoled.com)

### DRIVER HOUSING OPTIONS - XICATO XTM (230V AC)



#### KNOCKOUT DRIVER BOX

Compatibility:	EldoLED 20W SOLOdrive EldoLED 50W SOLOdrive
Size:	150 x 150 x 55mm
Mounting:	Ceiling Wall
Notes:	Standard solution for housing drivers where no void available.



#### CEILING DRIVER BOX

Compatibility:	EldoLED 20W SOLOdrive
Size:	142 x 80 x 40mm
Mounting:	Ceiling Wall
Notes:	For mounting smaller drivers next to ceiling hooks where no void available.



#### TRACK-PIPE<sup>®</sup> HOOK BOX

Compatibility:	EldoLED 20W SOLOdrive EldoLED 50W SOLOdrive
Size:	145 x 80 x 46mm
Mounting:	TRACK-PIPE <sup>®</sup>
Notes:	For mounting drivers for pendants to TRACK-PIPE <sup>®</sup> . Can be mounted vertically or horizontally.

\* Please let us know if KNOCKOUT BOX or SMALL CEILING BOX are required

### CABLE DISTANCE TABLE - XICATO XTM (230V AC)

#### MAXIMUM WIRING DISTANCE AT FULL LOAD

##### ELDOLED SOLODRIVE 20W

AWG VALUE	20	19	18	17	16
Distance (m)	14	18	22	28	36
Distance (ft)	46	59	72	92	118

##### ELDOLED SOLODRIVE 50W

AWG VALUE	20	19	18	17	16
Distance (m)	14	18	22	28	36
Distance (ft)	46	59	72	92	118

### CABLE DISTANCE TABLE - XICATO XIM (48V DC)

For Xicato XIM LED source using 1.5mm<sup>2</sup> cable cores between PSU and luminaire, maximum distance (m) between PSU and luminaire for a given quantity of luminaires below:

LUMENS / LED MODULE	LUMINAIRE QTY													
	1	2	3	4	5	6	7	8	9	10	15	20	25	30
675lm ARTIST	249m	124m	83m	62m	49m	41m	35m	31m	27m	24m	16m	12m	9m	8m
675lm STANDARD	377m	188m	125m	94m	75m	62m	53m	47m	41m	37m	25m	18m	15m	12m
975lm ARTIST	249m	124m	83m	62m	49m	41m	35m	31m	27m	24m	16m	12m	9m	8m
975lm STANDARD	377m	188m	125m	94m	75m	62m	53m	47m	41m	37m	25m	18m	15m	12m
1300lm ARTIST	249m	124m	83m	62m	49m	41m	35m	31m	27m	24m	16m	12m	9m	
1300lm STANDARD	377m	188m	125m	94m	75m	62m	53m	47m	41m	37m	25m	18m	15m	12m
2000lm ARTIST	187m	93m	62m	46m	37m	31m	26m	23m	20m	18m	12m	9m		
2000lm STANDARD	276m	138m	92m	69m	55m	46m	39m	34m	30m	27m	18m	13m	11m	
3000lm ARTIST	128m	64m	42m	32m	25m	21m	18m	16m	14m	12m				
3000lm STANDARD	152m	76m	50m	38m	30m	25m	21m	19m	16m	15m	10m			

### ELECTRICAL CALCULATION - XICATO XIM (48V DC)

It is recommended that 1.5mm<sup>2</sup> CSA cables are used for wiring between PSU and the luminaire (0.75mm<sup>2</sup> CSA cable is used for drop from ceiling rose to shade/LED).

For 1.5mm<sup>2</sup> cable cores:

Max cable distance to furthest luminaire (m)  
= 4760 ÷ Total Luminaires Power (W)

CAUTION: POWER NOT TO EXCEED MAX CURRENT RATING OF CABLE (738 W for 1.5mm<sup>2</sup> / 16A MAX).

PSU RATING TO CONSIDER TOTAL LUMINAIRE POWER + CABLE + SAFETY CONTINGENCY

CONSULT AN ELECTRICAL ENGINEER FOR FURTHER ADVICE

### INSTALLATION EXAMPLES - XICATO XIM (48V DC)

Assuming the use of typical 48V Power Supply Unit power ratings [Inventronics EUV range]:

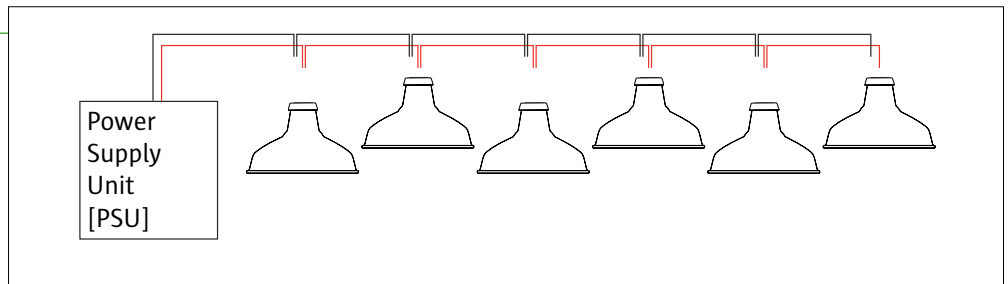
52W    100W    150W    200W    250W    300W    500W

#### 6 x XIM Artist. 1.5mm<sup>2</sup> cable cores

LED output (lm):	1300	2000	3000
W(max) per luminaire:	17.2	25.4	37.0

Total Luminaire Power (W):	103.2	152.4	222.0
[W(max) per luminaire x luminaire qty]			

PSU W(min):	150	200	250
Max cable distance (m):	46	31	21



#### 18 x XIM Standard. 1.5mm<sup>2</sup> cable cores

LED output (lm):	1300	2000
W(max) per luminaire:	12.6	19.1

Total Luminaire Power (W):	226.8	343.8
[W(max) per luminaire x luminaire qty]		

PSU W(min):	250	500
Max cable distance (m):	21	13.5

