

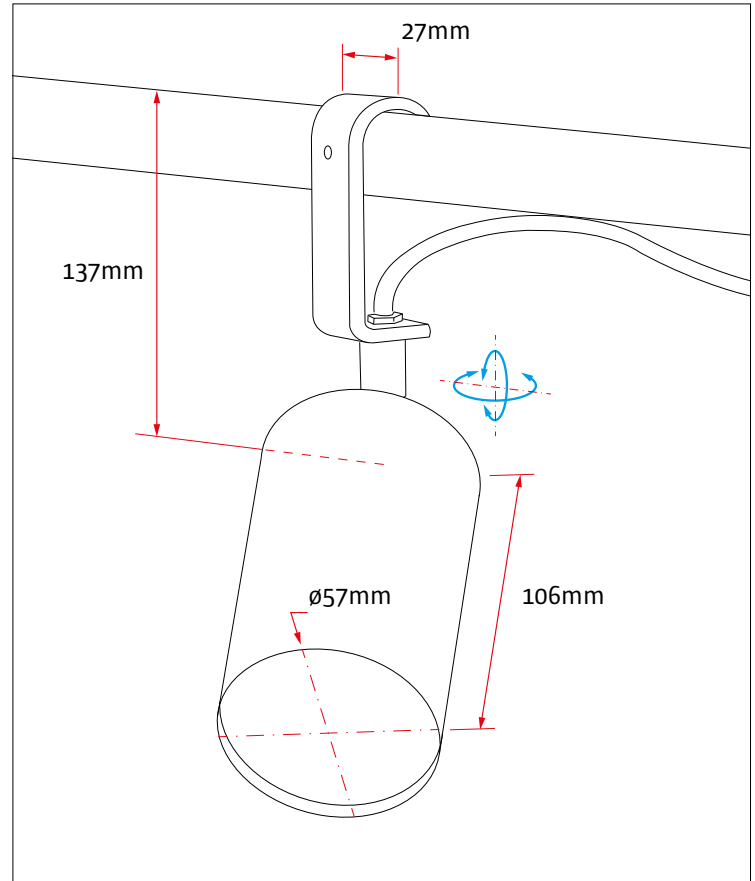


PERFORMANCE DATA

Light Source:	Xicato XIM - Standard/Artist	
Supply Voltage:	48V DC (±5%)	
IP Rating:	IP20	
CRI:	+80/+95	
Luminous Flux:	0 - 1300lm @ +80 CRI [XIM Standard] 0 - 1000lm @ +95 CRI [XIM Artist]	
Luminaire Efficacy:	up to 115lm/w [XIM Standard] up to 88lm/w [XIM Artist]	
Colour Temperature:	2200K, 2700K, 3000K, 3500K, 4000K	
Colour Consistency:	≤ 1x2 MacAdam Ellipses at 70°C, B0	
Colour Stability:	<0.003 Δ u',v' 50,000 hrs	
Lumen Maintenance:	50,000 hrs L70/B0	
Beam Angles:	16°, 30°, 40°	
Accessories:	Louvre Spreader Lens	Frosted Lens
Operating Temp:	LED <90°C	
Control:	Switched 1-10V	DALI Bluetooth (Xicato GaLaXi)

PRODUCT DESCRIPTION

The Factorylux NINETY-NINE™ is a high specification spotlight at a fraction of the existing market average price. Stripped down aesthetic, class leading Xicato light engines and smooth flicker free dimming. Available as a monopoint spot or as part of the Factorylux TRACK-PIPE® system.



CONSTRUCTION

Body Material:	Aluminium	Mounting:	Monopoint Pattress Cover TRACK-PIPE® Hook
Body Finish:	Stone Rumbled Anodised Black or custom on request Powder Coat White or custom on request	Manufacture:	UK
Weight:	0.25 kg		

SPECIFICATION / PRODUCT CODE

PRODUCT NAME:

NINETY-NINE™ SMALL
[NINETY-NINE-S]

NINETY-NINE-S / B / GalMono / L / 80 / STAN / 2700 / 30 / 1000 / DALI

CONTROL

DALI [DALI]
1-10V [1-10V]
None [None]
Bluetooth [BLE]

FITTING COLOUR:

[R]aw Aluminium
[B]lack Anodised
[W]hite Powder Coat
[A]nodised Custom
(please specify separately)
[P]owder Coat Custom
(please specify separately)

MOUNTING

TRACK-PIPE® [TP]
Monopoint Black
[B]Mono
Monopoint Galvanised
[GalMono]
Monopoint White
[WhMono]
Pattress Cover Black
[BPatt]
Pattress Cover Aluminium
[AlPatt]

ACCESSORIES

Louvre [L]
Frosted Glass [F]
Louvre + Frosted Glass
[LF]
Spreader Lens [S]
Louvre + Spreader Lens
[LS]
None [None]

XICATO SERIES

Standard	80/Stan
Artist	95/Art
Designer	90/Des
Vibrant 80	80/Vib
Vibrant 95	95/Vib
Beauty	95/Bea

COLOUR TEMPERATURE

2200K	[2200]
2700K	[2700]
3000K	[3000]
3500K	[3500]
4000K	[4000]

Note:
2200K as Artist only
Vibrant as 3000K only
Beauty as 2700K only

LED LUMENS

0-800lm [800]
0-1000lm [1000]*
* Xicato Std Series only

BEAM ANGLE

16° [16]*
30° [30]
40° [40]
*550lm max

TYPICAL LED SPECIFICATION EXAMPLES

XIM Standard +80 CRI

LED Luminous Flux:	650lm	1000lm
Power Consumption (typ):	5.7W	8.6W
Power Consumption (max):	12.6W	12.6W
Luminaire Efficacy:	115lm/W	113lm/W

XIM Artist +95 CRI

LED Luminous Flux:	650lm	800lm
Power Consumption (typ):	7.4W	9.5W
Power Consumption (max):	17.2W	17.2W
Luminaire Efficacy:	88lm/W	85lm/W

CABLE DISTANCE TABLE

For 1.5mm² cable cores, maximum distance (m) between PSU and luminaire for a given quantity of luminaires below:

LUMENS / LED MODULE	LUMINAIRE QTY													
	1	2	3	4	5	6	7	8	9	10	15	20	25	30
675lm ARTIST	249m	124m	83m	62m	49m	41m	35m	31m	27m	24m	16m	12m	9m	8m
675lm STANDARD	377m	188m	125m	94m	75m	62m	53m	47m	41m	37m	25m	18m	15m	12m
800lm ARTIST	249m	124m	83m	62m	49m	41m	35m	31m	27m	24m	16m	12m	9m	8m
1000lm STANDARD	377m	188m	125m	94m	75m	62m	53m	47m	41m	37m	25m	18m	15m	12m

ELECTRICAL CALCULATION - XICATO XIM (48V DC)

It is recommended that 1.5mm² CSA cables are used for wiring between PSU and the luminaire (0.75mm² CSA cable is used for drop from ceiling rose to shade/LED).

For 1.5mm² cable cores:

Max cable distance to furthest luminaire (m)
= $4760 \div \text{Total Luminaires Power (W)}$

CAUTION: POWER NOT TO EXCEED MAX CURRENT RATING OF CABLE (738 W for 1.5mm² / 16A MAX).

PSU RATING TO CONSIDER TOTAL LUMINAIRE POWER + CABLE + SAFETY CONTINGENCY

CONSULT AN ELECTRICAL ENGINEER FOR FURTHER ADVICE

INSTALLATION EXAMPLES - XICATO XIM (48V DC)

Assuming the use of typical 48V Power Supply Unit power ratings [Inventronics EUV range]:

52W	100W	150W	200W
250W	300W	500W	

6 x XIM Artist. 1.5mm² cable cores

LED output (lm):	650	800
W(max) per luminaire:	17.2	17.2

Total Luminaire Power (W): 103.2 103.2
[W(max) per luminaire x luminaire qty]

PSU W(min):	150	150
Max cable distance (m):	46	46

18 x XIM Standard. 1.5mm² cable cores

LED output (lm):	310	1000
W(max) per luminaire:	12.6	12.6

Total Luminaire Power (W): 226.8 226.8
[W(max) per luminaire x luminaire qty]

PSU W(min):	250	250
Max cable distance (m):	21	21

