

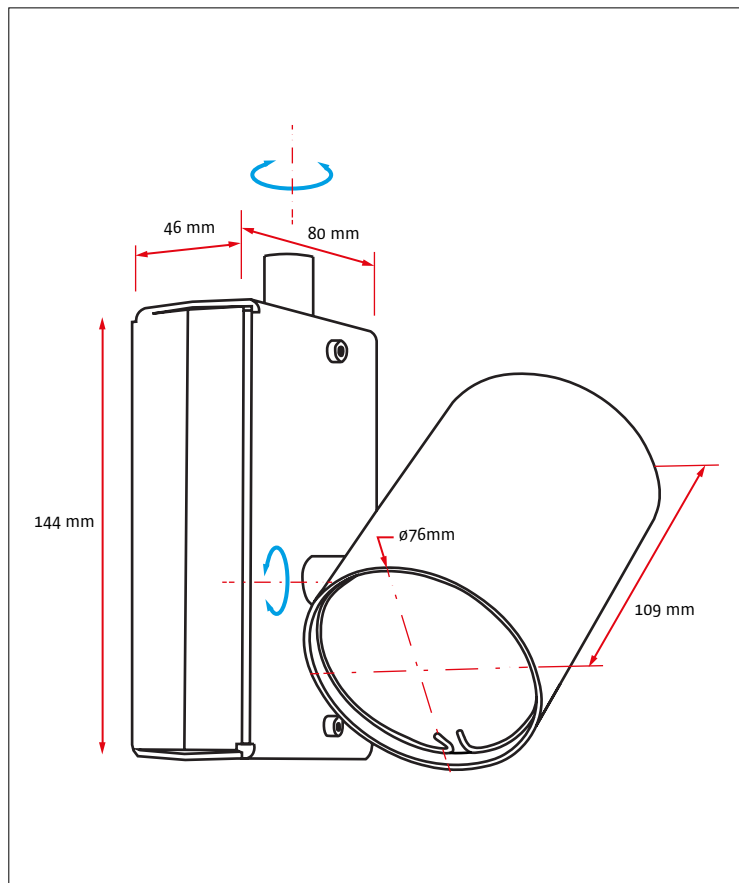


### PERFORMANCE DATA

Light Source:	Xicato XTM - Standard/Artist	
Supply Voltage:	120-250V AC	
IP Rating:	IP20	
CRI:	+80 [Xicato Standard Series] +95 [Xicato Artist Series]	
Luminous Flux:	0 - 2600lm @ +80 CRI [XTM Standard] 0 - 2000lm @ +95 CRI [XTM Artist]	
Luminaire Efficacy:	up to 160lm/W	
Colour Temperature:	2200K (Artist only), 2700K, 3000K, 3500K, 4000K	
Colour Consistency:	≤ 1x2 MacAdam Ellipses at 70°C, B0	
Colour Stability:	<0.003 Δ u',v' 50,000 hrs	
Lumen Maintenance:	50,000 hrs L70/B0	
Beam Angles:	15°, 26°, 42°, 58°	
Accessories:	Honeycomb Louvre Spreader Lens	Frosted Lens
Operating Temp:	Ambient -20°C/+30°C	
Control:	Switched 1-10V Phase Dim	DALI Local Potentiometer

### PRODUCT DESCRIPTION

The Factorylux NINETY-NINE is a high specification spotlight at a fraction of the existing market average price. Stripped down aesthetic, class leading Xicato light engines and eldoLED's smooth dimming, flicker free drivers. Available as a monopoint spot, with 3 circuit track adapters or as part of the Factorylux TRACK-PIPE<sup>®</sup> system.



### CONSTRUCTION

Body Material:	Aluminium	Mounting:	Monopoint TRACK-PIPE® Hook
Body Finish:	Stone Rumbled Anodised Black or custom on request Powder Coat White or custom on request	Mounting Colour:	Black, Galvanised/Raw Custom colour on request
Cable Colours:	Jet Black	Manufacture:	UK
Weight:	1.0 kg		

### SPECIFICATION / PRODUCT CODE

#### PRODUCT NAME:

NINETY-NINE MEDIUM INTEGRAL  
[NINETY-NINE-M-I]

**NINETY-NINE-M-I / R / TP / L / 95 / ART / 2700 / 25 / 1300 / DALI**

#### CONTROL

DALI [DALI]  
1-10V [1-10V]  
None [None]  
Phase [PH]

#### FITTING COLOUR:

[SR] Stone Rumbled  
[B]lack Anodised  
[W]hite Powder Coat  
[A]nodised Custom  
(please specify separately)  
[P]owder Coat Custom  
(please specify separately)

#### MOUNTING

TRACK-PIPE® [TP]  
Monopoint Black  
[BMono]  
Monopoint Galvanised  
[GalMono]  
Monopoint White  
[WhMono]  
Pattress Cover Black  
[BPatt]  
Pattress Cover Aluminium  
[AlPatt]

#### ACCESSORIES

Louvre [L]  
Frosted Glass [F]  
Louvre + Frosted Glass  
[LF]  
Spreader Lens [S]  
Louvre + Spreader Lens  
[LS]  
None [None]

#### XICATO SERIES

Standard 80/Stan  
Artist 95/Art  
Designer 90/Des  
Vibrant 80 80/Vib  
Vibrant 95 95/Vib  
Beauty 95/Bea

#### COLOUR TEMPERATURE

2200K [2200]  
2700K [2700]  
3000K [3000]  
3500K [3500]  
4000K [4000]

Note:  
2200K Artist only  
Vibrant 3000K only  
Beauty 2700K only

#### LED LUMENS

0-2600lm [2600]\*  
\* Artist 2000lm max

#### BEAM ANGLE

15° [15]\*  
26° [26]  
42° [42]  
58° [58]  
\* Max. 1200lm

### TYPICAL LED SPECIFICATION EXAMPLES

#### XTM Standard +80 CRI

LED Luminous Flux:	720lm	965lm	1300lm	2000lm	2600lm
Power Consumption (typ):	4.5W	6.6W	9.5W	15.2W	19.9W
Current (mA):	350mA	500mA	700mA	700mA	675mA
Luminaire Efficacy:	160lm/W	146lm/W	137lm/W	131lm/W	136lm/W

#### XTM Artist +95 CRI

LED Luminous Flux:	720lm	965lm	1300lm	2000lm
Power Consumption (typ):	6.3W	9.2W	13.3W	20.0W
Current (mA):	350mA	500mA	700mA	1050mA
Luminaire Efficacy:	114lm/W	104lm/W	98lm/W	100lm/W

### DRIVERS [CONSTANT CURRENT] - XICATO XTM (230V AC)

For Xicato XTM LED source, the following driver is typically used for DALI and 1-10V control.



#### EldoLED 30W ECOdrive

Nominal input voltage: 120-250V AC

Maximum input current: 0.35 A

Maximum inrush current: 30 mA<sup>2</sup>s @277V / 60Hz

Efficiency at full load: 85%

Power factor at full load: > 0.9

Maximum output power: 30 W

LED output range: 150-1400 mA

Control Protocol: DALI (ECOdrive 360/S)  
1-10V (ECOdrive 361/S)

Dimming range: 100% - 1%

Size: 130 x 72 x 28 mm

Weight: 285.5 g

ACB Loading:	Type	B/C10	B/C13	B/C16
Max driver qty		33	43	53