

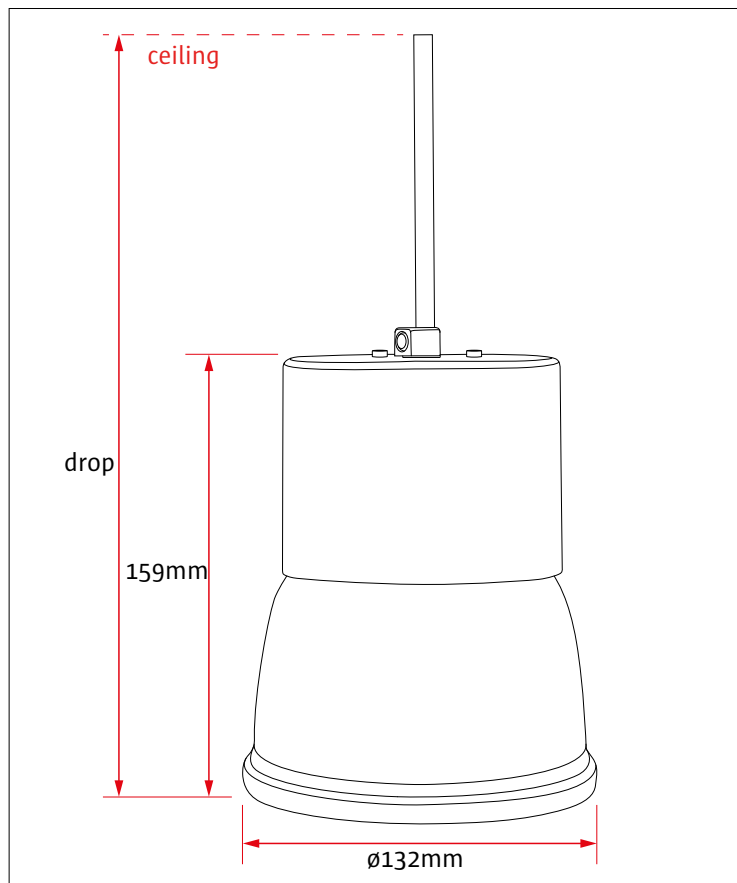


PERFORMANCE DATA

Light Source:	Xicato XTM Xicato XIM	
Supply Voltage:	230V AC [Xicato XTM with remote driver] 48V DC ±5% [Xicato XIM, no remote driver]	
IP Rating:	IP20	
CRI:	+80 [Xicato Standard Series] +95 [Xicato Artist Series]	
Luminous Flux:	0 - 3000lm @ +80 CRI [XTM Standard] 0 - 2000lm @ +95 CRI [XTM Artist] 0 - 2000lm @ +80 CRI [XIM Standard] 0 - 1500lm @ +95 CRI [XIM Artist]	
Luminaire Efficacy:	up to 160lm/w	
Colour Temperature:	2200K, 2700K, 3000K, 3500K, 4000K	
Colour Consistency:	≤ 1x2 MacAdam Ellipses at 70°C, B0	
Colour Stability:	<0.003 Δ u',v' 50,000 hrs	
Lumen Maintenance:	50,000 hrs L70/B0	
Beam Angles:	7°, 14°, 25°, 38°, 60°	
Accessories:	Louvre Spreader Lens	Frosted Lens
Operating Temp:	Ambient -20°C/+30°C	
Control:	Switched DALI 1-10V	Local Potentiometer Bluetooth (Xicato GaLaXi)

PRODUCT DESCRIPTION

The Factorylux MARGO PENDANT is part of the MARGO range, featuring vitreous enamel finishes, the most vibrant, colourfast and durable metal finishes available. In addition to being beautiful, the Factorylux MARGO PENDANT is highly configurable. It features the latest Xicato light sources and the highest specification drivers.



CONSTRUCTION

Body Material:	Mild Steel	Weight:	0.63 kg
Body Finish:	Galvanised Powder Coat: White, Black, RAL on request	Mounting:	Monopoint Ceiling Rose TRACK-PIPE® Hook Pattress Cover Track Adapter (with integral driver)
Shade Material:	Low Carbon Steel Copper	Manufacture:	UK
Shade Finish:	Vitreous Enamel: Grey, Green, Red, White, Black, Matt Black, Blue Plated: Gold, Nickel Silver, Bronze, Brass, Solid Copper Galvanised		

SPECIFICATION / PRODUCT CODE

PRODUCT NAME:

MARGO PENDANT XIM
[MARGO-P-XIM]
MARGO PENDANT XTM
[MARGO-P-XTM]

MARGO-P-XTM / B-B / 3Track / L / 95 / ART / 2700 / 26 / 1300 / DALI

CONTROL

DALI [DALI]
1-10V [1-10V]
Phase [Phase]*
None [None]
Bluetooth [BLE]**
*Phase XTM only
** BLE XIM only

COLOUR WAY:

BODY - SHADE
[B]lack [Matt] Black
[W]hite [B]lack
[Gal]vanised [R]ed
[W]hite
[Gn] Green
[Gr] Grey
[Gd] Gold
[Si]lver
[V]erdigris
[Gal]vanised
[C]opper

MOUNTING

TRACK-PIPE® [TP]
Monopoint Black [BMono]
Monopoint Galvanised [GalMono]
Monopoint White [WhMono]
Pattress Cover Black [BPatt]
Pattress Cover Aluminium [AlPatt]
Track Adapter [3Track]*
*XICATO XTM only

ACCESSORIES

Louvre [L]
Frosted Glass [F]
Louvre + Frosted Glass [LF]
Spreader Lens [S]
Louvre + Spreader Lens [LS]
None [None]

XICATO SERIES

Standard 80/Stan
Artist 95/Art
Designer 90/Des
Vibrant 80 80/Vib
Vibrant 95 95/Vib
Beauty 95/Bea

COLOUR TEMPERATURE

2200K [2200]
2700K [2700]
3000K [3000]
3500K [3500]
4000K [4000]
Note:
2200K as Artist only
Vibrant as 3000K only
Beauty as 2700K only

LED LUMENS

0-3000lm [3000]*
* XIM Artist 1500lm max
XIM Standard 2000lm max
XTM Artist 2000lm max

BEAM ANGLE

15° [15]*
26° [26]
42° [42]
58° [58]
*Maximum 1500lm

TYPICAL LED SPECIFICATION EXAMPLES

XTM Standard +80 CRI

LED Luminous Flux:	720lm	965lm	1300lm	2000lm	3000lm
Power Consumption (typ):	4.5W	6.6W	9.5W	15.2W	25.7W
Current (mA):	350mA	500mA	700mA	700mA	1050mA
Luminaire Efficacy:	160lm/W	146lm/W	137lm/W	131lm/W	117lm/W

XTM Artist +95 CRI

LED Luminous Flux:	720lm	965lm	1300lm	2000lm
Power Consumption (typ):	6.3W	9.2W	13.3W	20.0W
Current (mA):	350mA	500mA	700mA	1050mA
Luminaire Efficacy:	114lm/W	104lm/W	98lm/W	100lm/W

XIM Standard +80 CRI

LED Luminous Flux:	650lm	975lm	1300lm	1500lm	2000lm
Power Consumption (typ):	5.7W	8.6W	11.9W	13.0W	18.1W
Power Consumption (max):	12.6W	12.6W	12.6W	19.1W	19.1W
Luminaire Efficacy:	115lm/W	113lm/W	110lm/W	115lm/W	111lm/W

XIM Artist +95 CRI

LED Luminous Flux:	650lm	975lm	1300lm	1500lm
Power Consumption (typ):	7.4W	11.6W	16.2W	17.2W
Power Consumption (max):	7.2W	17.2W	17.2W	25.4W
Luminaire Efficacy:	88lm/W	84lm/W	80lm/W	87lm/W

DRIVERS [CONSTANT CURRENT] - XICATO XTM (230V AC)

For Xicato XTM LED source, the following 2 driver types are used.

Typically, for output under 2000lm: 20W eldoLED SOLOdrive; for over 2000lm: 50W eldoLED SOLOdrive.



EldoLED 20W SOLOdrive

Nominal input voltage:	220-240V AC	Control Protocol:	DALI (SOLOdrive 240/A) 1-10V (SOLOdrive 241/A)
Maximum input current:	0.15 A	Dimming range:	100% - 0.1%
Maximum inrush current:	1 A ² s @230V / 50Hz	Size:	160 x 42 x 31 mm
Efficiency at full load:	80%	Weight:	125 g
Power factor at full load:	> 0.95	ACB Loading: Type	B/C10 B/C13 B/C16
Maximum output power:	20 W	Max driver qty	66 86 106
LED output range:	150-1050 mA		



EldoLED 50W SOLOdrive

Nominal input voltage:	120-250V AC	Control Protocol:	DALI (SOLOdrive 560/A) 1-10V (SOLOdrive 561/A)
Maximum input current:	0.7 A	Dimming range:	100% - 0.1%
Maximum inrush current:	30 mA ² s @277V / 50Hz	Size:	153 x 77 x 30 mm
Efficiency at full load:	87%	Weight:	293 g
Power factor at full load:	> 0.9	ACB Loading: Type	B/C10 B/C13 B/C16
Maximum output power:	50 W	Max driver qty	14 18 22
LED output range:	150-1400 mA		

*Further details can be found at www.eldoled.com

DRIVER HOUSING OPTIONS - XICATO XTM (230V AC)



KNOCKOUT DRIVER BOX

Compatibility:	EldoLED 20W SOLOdrive EldoLED 50W SOLOdrive
Size:	150 x 150 x 55mm
Mounting:	Ceiling Wall
Notes:	Standard solution for housing drivers where no void available.



CEILING DRIVER BOX

Compatibility:	EldoLED 20W SOLOdrive
Size:	142 x 80 x 40mm
Mounting:	Ceiling Wall
Notes:	For mounting smaller drivers next to ceiling hooks where no void available.



TRACK-PIPE® HOOK BOX

Compatibility:	EldoLED 20W SOLOdrive EldoLED 50W SOLOdrive
Size:	145 x 80 x 46mm
Mounting:	TRACK-PIPE®
Notes:	For mounting drivers for pendants to TRACK-PIPE®. Can be mounted vertically or horizontally.

* Please let us know if KNOCKOUT BOX or SMALL CEILING BOX are required

CABLE DISTANCE TABLE - XICATO XTM (230V AC)

MAXIMUM WIRING DISTANCE AT FULL LOAD

ELDOLED SOLODRIVE 20W

AWG VALUE	20	19	18	17	16
Distance (m)	14	18	22	28	36
Distance (ft)	46	59	72	92	118

ELDOLED SOLODRIVE 50W

AWG VALUE	20	19	18	17	16
Distance (m)	14	18	22	28	36
Distance (ft)	46	59	72	92	118

CABLE DISTANCE TABLE - XICATO XIM (48V DC)

For 1.5mm² cable cores, maximum distance (m) between PSU and luminaire for a given quantity of luminaires below:

LUMENS / LED MODULE	LUMINAIRE QTY													
	1	2	3	4	5	6	7	8	9	10	15	20	25	30
675lm ARTIST	249m	124m	83m	62m	49m	41m	35m	31m	27m	24m	16m	12m	9m	8m
675lm STANDARD	377m	188m	125m	94m	75m	62m	53m	47m	41m	37m	25m	18m	15m	12m
975lm ARTIST	249m	124m	83m	62m	49m	41m	35m	31m	27m	24m	16m	12m	9m	8m
975lm STANDARD	377m	188m	125m	94m	75m	62m	53m	47m	41m	37m	25m	18m	15m	12m
1300lm ARTIST	249m	124m	83m	62m	49m	41m	35m	31m	27m	24m	16m	12m	9m	8m
1300lm STANDARD	377m	188m	125m	94m	75m	62m	53m	47m	41m	37m	25m	18m	15m	12m
1500lm ARTIST	187m	93m	62m	46m	37m	31m	26m	23m	20m	18m	12m	9m	7m	6m
1500lm STANDARD	276m	138m	92m	69m	55m	46m	39m	34m	30m	27m	18m	13m	11m	9m
1800lm ARTIST	187m	93m	62m	46m	37m	31m	26m	23m	20m	18m	12m	9m	7m	6m
2000lm STANDARD	276m	138m	92m	69m	55m	46m	39m	34m	30m	27m	18m	13m	11m	9m

ELECTRICAL CALCULATION - XICATO XIM (48V DC)

It is recommended that 1.5mm² CSA cables are used for wiring between PSU and the luminaire (0.75mm² CSA cable is used for drop from ceiling rose to shade/LED).

For 1.5mm² cable cores:

Max Cable Length (m)
= 4760 ÷ Total Luminaires Power (W)

CAUTION: POWER NOT TO EXCEED MAX CURRENT RATING OF CABLE (738 W for 1.5mm² / 16A MAX).

PSU RATING TO CONSIDER TOTAL LUMINAIRE POWER + CABLE + SAFETY CONTINGENCY

CONSULT AN ELECTRICAL ENGINEER FOR FURTHER ADVICE

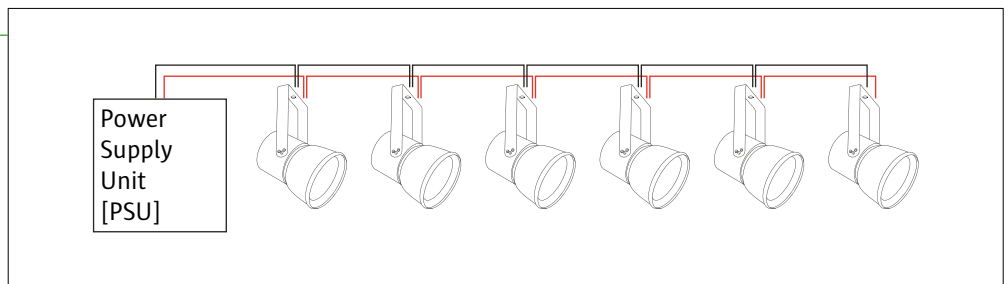
INSTALLATION EXAMPLES - XICATO XIM (48V DC)

6 x XIM Artist. 1.5mm² cable cores

LED output (lm):	310	1300	1500
W(max) per luminaire:	17.2	17.2	25.4

Total Luminaire Power (W):	103.2	103.2	152.4
[W(max) per luminaire x luminaire qty]			

PSU W(min):	110	110	160
Max cable distance (m):	46	46	31

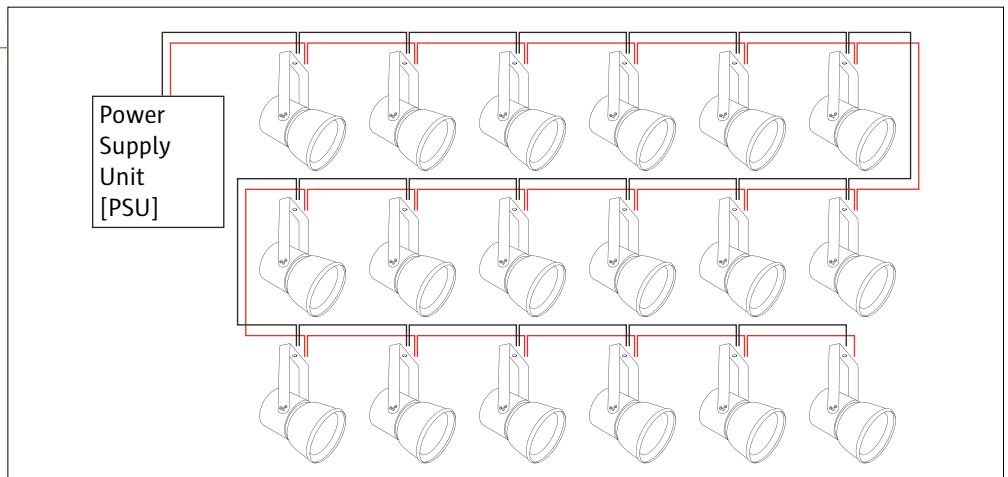


18 x XIM Standard. 1.5mm² cable cores

LED output (lm):	310	1300	2000
W(max) per luminaire:	12.6	12.6	19.1

Total Luminaire Power (W):	226.8	226.8	343.8
[W(max) per luminaire x luminaire qty]			

PSU W(min):	230	230	350
Max cable distance (m):	21	21	13.5



See separate datasheet for suggested 48V PSUs