

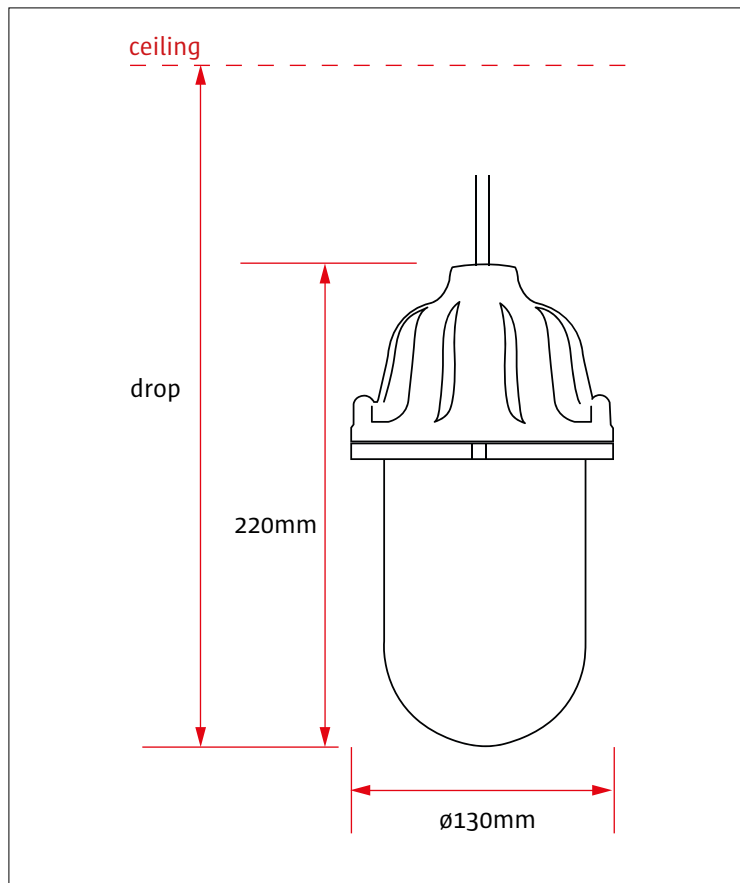


PERFORMANCE DATA

Light Source:	Xicato XTM Xicato XIM	
Supply Voltage:	230V AC [Xicato XTM] 48V DC ±5% [Xicato XIM]	
IP Rating:	IP20 IP54 [Xicato XTM]	
CRI:	+80 [Xicato Standard Series] +95 [Xicato Artist Series]	
Luminous Flux:	0 - 2700lm @ +80 CRI [XTM Standard] 0 - 2000lm @ +95 CRI [XTM Artist] 0 - 2000lm @ +80 CRI [XIM Standard] 0 - 1300lm @ +95 CRI [XIM Artist]	
Luminaire Efficacy:	up to 160lm/W	
Colour Temperature:	2200K, 2700K, 3000K, 3500K, 4000K	
Colour Consistency:	≤ 1x2 MacAdam Ellipses at 70°C, B0	
Colour Stability:	<0.003 Δ u',v' 50,000 hrs	
Lumen Maintenance:	50,000 hrs L70/B0	
Beam Angles:	26°, 42°, 58°, wide diffused, ultra wide diffused	
Accessories:	Frosted Glass	
Operating Temp:	Ambient -20°C/+30°C	
Control:	Switched 1-10V Bluetooth (Xicato GaLaXi)	DALI Phase Dim

PRODUCT DESCRIPTION

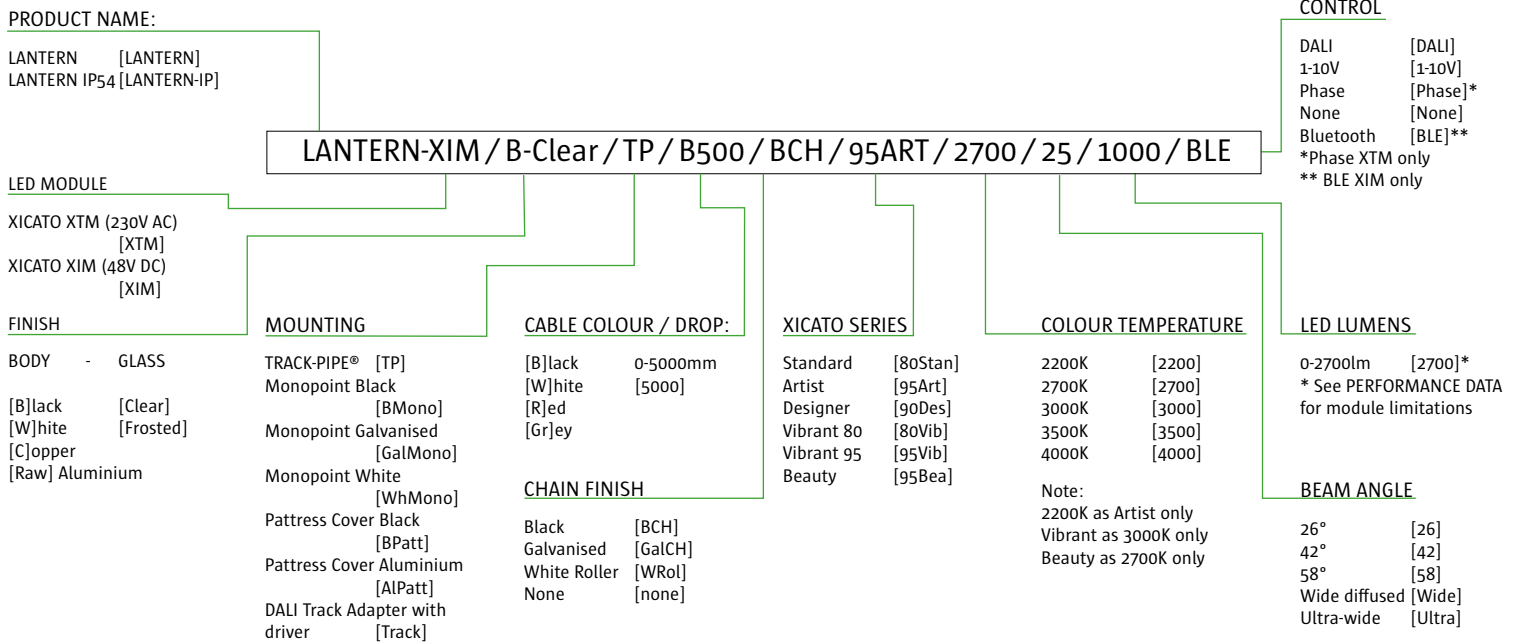
The LANTERN is available as an IP54 rated pendant with fabric cable drop and IP54 ceiling rose, IP20 with a standard monopoint ceiling fixing or as a part of the TRACK-PIPE[®] system. All FACTORYLUX pendants are made in the UK and tested to BS EN 60598. Thermally validated and covered by Xicato's 5-year colour consistency warranty.



CONSTRUCTION

Body Material:	Cast Aluminium	Mounting:	Hooked Pattress TRACK-PIPE® Hook Track Connector box Ceiling driver box / knockout box IP54 Pattress
Envelope Material:	Clear Glass Frosted Glass [interior media blasted]	Mounting Colour:	Black, Galvanised/Raw Custom colour on request
Cable Type:	2 core round, fabric covered, 0.75mm CSA	Manufacture:	UK
Cable Colours:	Jet Black, Bright Red, Grey, White Custom colour on request		
Chain Finish:	Black, Galvanised, White Roller Chain or none		
Weight:	1 kg (based on 2000mm drop)		

SPECIFICATION / PRODUCT CODE



TYPICAL LED SPECIFICATION EXAMPLES

XTM Standard +80 CRI

LED Luminous Flux:	720lm	965lm	1300lm	2000lm	2700lm
Power Consumption (typ):	4.5W	6.6W	9.5W	15.2W	19.9W
Current (mA):	350mA	500mA	700mA	700mA	700mA
Luminaire Efficacy:	160lm/W	146lm/W	137lm/W	131lm/W	136lm/W

XTM Artist +95 CRI

LED Luminous Flux:	720lm	965lm	1300lm	2000lm
Power Consumption (typ):	6.3W	9.2W	13.3W	20.0W
Current (mA):	350mA	500mA	700mA	1050mA
Luminaire Efficacy:	114lm/W	104lm/W	98lm/W	100lm/W

XIM Standard +80 CRI

LED Luminous Flux:	650lm	975lm	1300lm	2000lm
Power Consumption (typ):	5.7W	8.6W	11.9W	18.1W
Power Consumption (max):	12.6W	12.6W	12.6W	19.1W
Luminaire Efficacy:	115lm/W	113lm/W	110lm/W	111lm/W

XIM Artist +95 CRI

LED Luminous Flux:	650lm	975lm	1300lm
Power Consumption (typ):	7.4W	11.6W	16.2W
Power Consumption (max):	7.2W	17.2W	17.2W
Luminaire Efficacy:	88lm/W	84lm/W	80lm/W

DRIVERS [CONSTANT CURRENT] - XICATO XTM (230V AC)

For Xicato XTM LED source, the following 2 driver types are used.

Typically, for output under 2000lm: 20W eldoLED SOLOdrive; for over 2000lm: 50W eldoLED SOLOdrive.



EldoLED 20W SOLOdrive

Nominal input voltage:	220-240V AC	Control Protocol:	DALI (SOLOdrive 240/A) 1-10V (SOLOdrive 241/A)
Maximum input current:	0.15 A	Dimming range:	100% - 0.1%
Maximum inrush current:	1 A ^s @230V / 50Hz	Size:	160 x 42 x 31 mm
Efficiency at full load:	80%	Weight:	125 g
Power factor at full load:	> 0.95	ACB Loading: Type	B/C10 B/C13 B/C16
Maximum output power:	20 W	Max driver qty	66 86 106
LED output range:	150-1050 mA		



EldoLED 50W SOLOdrive

Nominal input voltage:	120-250V AC	Control Protocol:	DALI (SOLOdrive 560/A) 1-10V (SOLOdrive 561/A)
Maximum input current:	0.7 A	Dimming range:	100% - 0.1%
Maximum inrush current:	30 mA ^s @277V / 50Hz	Size:	153 x 77 x 30 mm
Efficiency at full load:	87%	Weight:	293 g
Power factor at full load:	> 0.9	ACB Loading: Type	B/C10 B/C13 B/C16
Maximum output power:	50 W	Max driver qty	14 18 22
LED output range:	150-1400 mA		

*Further details can be found at www.eldoled.com

DRIVER HOUSING OPTIONS - XICATO XTM (230V AC)



KNOCKOUT DRIVER BOX

Compatibility:	EldoLED 20W SOLOdrive EldoLED 50W SOLOdrive
Size:	150 x 150 x 55mm
Mounting:	Ceiling Wall
Notes:	Standard solution for housing drivers where no void available.



CEILING DRIVER BOX

Compatibility:	EldoLED 20W SOLOdrive
Size:	142 x 80 x 40mm
Mounting:	Ceiling Wall
Notes:	For mounting smaller drivers next to ceiling hooks where no void available.



TRACK-PIPE[®] HOOK BOX

Compatibility:	EldoLED 20W SOLOdrive EldoLED 50W SOLOdrive
Size:	145 x 80 x 46mm
Mounting:	TRACK-PIPE [®]
Notes:	For mounting drivers for pendants to TRACK-PIPE [®] . Can be mounted vertically or horizontally.

* Please let us know if KNOCKOUT BOX or SMALL CEILING BOX are required

CABLE DISTANCE TABLE - XICATO XTM (230V AC)

MAXIMUM WIRING DISTANCE AT FULL LOAD

ELDOLED SOLODRIVE 20W

AWG VALUE	20	19	18	17	16
Distance (m)	14	18	22	28	36
Distance (ft)	46	59	72	92	118

ELDOLED SOLODRIVE 50W

AWG VALUE	20	19	18	17	16
Distance (m)	14	18	22	28	36
Distance (ft)	46	59	72	92	118

CABLE DISTANCE TABLE - XICATO XIM (48V DC)

For Xicato XIM LED source using 1.5mm² cable cores between PSU and luminaire, maximum distance (m) between PSU and luminaire for a given quantity of luminaires below:

LUMENS / LED MODULE	LUMINAIRE QTY													
	1	2	3	4	5	6	7	8	9	10	15	20	25	30
675lm ARTIST	249m	124m	83m	62m	49m	41m	35m	31m	27m	24m	16m	12m	9m	8m
675lm STANDARD	377m	188m	125m	94m	75m	62m	53m	47m	41m	37m	25m	18m	15m	12m
975lm ARTIST	249m	124m	83m	62m	49m	41m	35m	31m	27m	24m	16m	12m	9m	8m
975lm STANDARD	377m	188m	125m	94m	75m	62m	53m	47m	41m	37m	25m	18m	15m	12m
1300lm ARTIST	249m	124m	83m	62m	49m	41m	35m	31m	27m	24m	16m	12m	9m	
1300lm STANDARD	377m	188m	125m	94m	75m	62m	53m	47m	41m	37m	25m	18m	15m	12m
2000lm STANDARD	276m	138m	92m	69m	55m	46m	39m	34m	30m	27m	18m	13m	11m	

ELECTRICAL CALCULATION - XICATO XIM (48V DC)

It is recommended that 1.5mm² CSA cables are used for wiring between PSU and the luminaire (0.75mm² CSA cable is used for drop from ceiling rose to shade/LED).

For 1.5mm² cable cores:

Max cable distance to furthest luminaire (m)
= 4760 ÷ Total Luminaires Power (W)

CAUTION: POWER NOT TO EXCEED MAX CURRENT RATING OF CABLE (738 W for 1.5mm² / 16A MAX).

PSU RATING TO CONSIDER TOTAL LUMINAIRE POWER + CABLE + SAFETY CONTINGENCY

CONSULT AN ELECTRICAL ENGINEER FOR FURTHER ADVICE

INSTALLATION EXAMPLES - XICATO XIM (48V DC)

Assuming the use of typical 48V Power Supply Unit power ratings [Inventronics EUV range]:

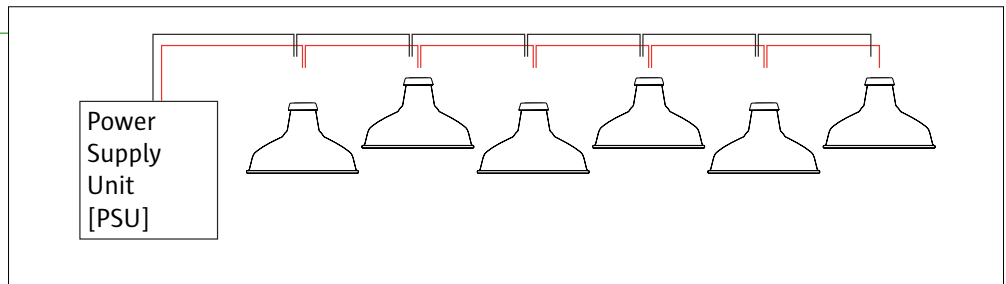
52W 100W 150W 200W 250W 300W 500W

6 x XIM Artist. 1.5mm² cable cores

LED output (lm): 1300 2000
W(max) per luminaire: 17.2 25.4

Total Luminaire Power (W): 103.2 152.4
[W(max) per luminaire x luminaire qty]

PSU W(min): 150 200
Max cable distance (m): 46 31



18 x XIM Standard. 1.5mm² cable cores

LED output (lm): 1300
W(max) per luminaire: 12.6

Total Luminaire Power (W): 226.8
[W(max) per luminaire x luminaire qty]

PSU W(min): 250
Max cable distance (m): 21

