

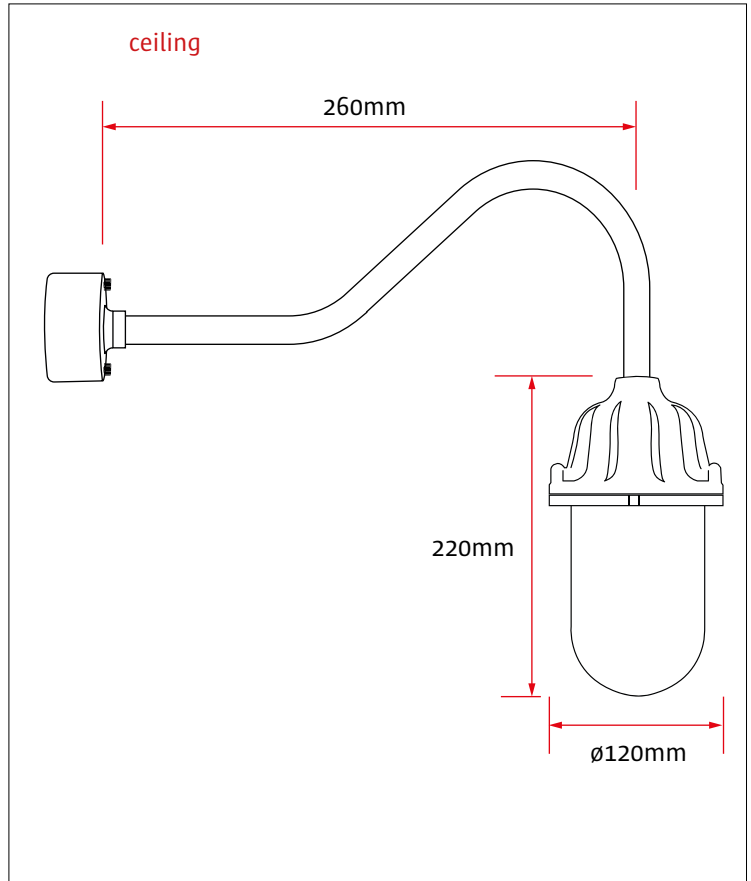


### PERFORMANCE DATA

Light Source:	Xicato XTM Xicato XIM	
Supply Voltage:	230V AC [Xicato XTM] 48V DC ±5% [Xicato XIM]	
IP Rating:	IP20 IP54	
CRI:	+80 [Xicato Standard Series] +95 [Xicato Artist Series]	
Luminous Flux:	0 - 2700lm @ +80 CRI [XTM Standard] 0 - 2000lm @ +95 CRI [XTM Artist] 0 - 2000lm @ +80 CRI [XIM Standard] 0 - 1300lm @ +95 CRI [XIM Artist]	
Luminaire Efficacy:	up to 160lm/W	
Colour Temperature:	2200K, 2700K, 3000K, 3500K, 4000K	
Colour Consistency:	≤ 1x2 MacAdam Ellipses at 70°C, B0	
Colour Stability:	<0.003 Δ u',v' 50,000 hrs	
Lumen Maintenance:	50,000 hrs L70/B0	
Beam Angles:	26°, 42°, 58°, wide diffused, ultra wide diffused	
Accessories:	Frosted Glass	
Operating Temp:	Ambient -20°C/+30°C	
Control:	Switched 1-10V Bluetooth (Xicato GaLaXi)	DALI Phase Dim

### PRODUCT DESCRIPTION

The LANTERN WALL is a cast aluminium and glass luminaire, wall mounted by a custom formed steel armature to a pattress mount. All FACTORYLUX pendants are made in the UK and tested to BS EN 60598. Thermally validated and covered by Xicato's 5-year colour consistency warranty.



### CONSTRUCTION

Body Material:	Cast Aluminium
Envelope Material:	Clear Glass Frosted Glass [interior media blasted]
Weight:	1 kg
Mounting:	Galvanised steel armature to 'pattress cover' with 2 x mounting points at 50.8mm centres
Mounting Colour:	Galvanised
Manufacture:	UK

### SPECIFICATION / PRODUCT CODE

PRODUCT NAME:						CONTROL	
LANTERN WALL [LANTERN-WALL]						DALI [DALI]	
LANTERN WALL IP54 [LANTERN-WALL-IP]						1-10V [1-10V]	
<b>LANTERN-XTM / Raw-Frosted / 95ART / 2700 / 25 / 1300 / DALI</b>						Phase [Phase]*	
						None [None]	
						Bluetooth [BLE]**	
						*Phase XTM only	
						** BLE XIM only	
LED MODULE		FINISH	XICATO SERIES	COLOUR TEMPERATURE		BEAM ANGLE	LED LUMENS
XICATO XTM (230V AC) [XTM]	BODY - GLASS		Standard [80Stan]	2200K [2200]	26° [26]	0-2700lm [2700]*	
XICATO XIM (48V DC) [XIM]	[B]lack [Clear]	Artist [95Art]	Designer [90Des]	2700K [2700]	42° [42]	* See PERFORMANCE DATA	
	[W]hite [Frosted]	Vibrant 80 [80Vib]	Vibrant 95 [95Vib]	3000K [3000]	58° [58]	for module limitations	
	[C]opper	Vibrant 80 [80Vib]	Beauty [95Bea]	3500K [3500]	Wide diffused [Wide]		
	[Raw] Aluminium	Vibrant 95 [95Vib]		4000K [4000]	Ultra-wide [Ultra]		
		Beauty [95Bea]					
				Note:			
				2200K as Artist only			
				Vibrant as 3000K only			
				Beauty as 2700K only			

### TYPICAL LED SPECIFICATION EXAMPLES

#### XTM Standard +80 CRI

LED Luminous Flux:	720lm	965lm	1300lm	2000lm	2700lm
Power Consumption (typ):	4.5W	6.6W	9.5W	15.2W	19.9W
Current (mA):	350mA	500mA	700mA	700mA	700mA
Luminaire Efficacy:	160lm/W	146lm/W	137lm/W	131lm/W	136lm/W

#### XTM Artist +95 CRI

LED Luminous Flux:	720lm	965lm	1300lm	2000lm
Power Consumption (typ):	6.3W	9.2W	13.3W	20.0W
Current (mA):	350mA	500mA	700mA	1050mA
Luminaire Efficacy:	114lm/W	104lm/W	98lm/W	100lm/W

#### XIM Standard +80 CRI

LED Luminous Flux:	650lm	975lm	1300lm	2000lm
Power Consumption (typ):	5.7W	8.6W	11.9W	18.1W
Power Consumption (max):	12.6W	12.6W	12.6W	19.1W
Luminaire Efficacy:	115lm/W	113lm/W	110lm/W	111lm/W

#### XIM Artist +95 CRI

LED Luminous Flux:	650lm	975lm	1300lm
Power Consumption (typ):	7.4W	11.6W	16.2W
Power Consumption (max):	7.2W	17.2W	17.2W
Luminaire Efficacy:	88lm/W	84lm/W	80lm/W

### DRIVERS [CONSTANT CURRENT] - XICATO XTM (230V AC)

For Xicato XTM LED source, the following 2 driver types are used.

Typically, for output under 2000lm: 20W eldoLED SOLOdrive; for over 2000lm: 50W eldoLED SOLOdrive.



#### EldoLED 20W SOLOdrive

Nominal input voltage:	220-240V AC	Control Protocol:	DALI (SOLOdrive 240/A) 1-10V (SOLOdrive 241/A)
Maximum input current:	0.15 A	Dimming range:	100% - 0.1%
Maximum inrush current:	1 A <sup>2</sup> s @230V / 50Hz	Size:	160 x 42 x 31 mm
Efficiency at full load:	80%	Weight:	125 g
Power factor at full load:	> 0.95	ACB Loading: Type	B/C10 B/C13 B/C16
Maximum output power:	20 W	Max driver qty	66 86 106
LED output range:	150-1050 mA		



#### EldoLED 50W SOLOdrive

Nominal input voltage:	120-250V AC	Control Protocol:	DALI (SOLOdrive 560/A) 1-10V (SOLOdrive 561/A)
Maximum input current:	0.7 A	Dimming range:	100% - 0.1%
Maximum inrush current:	30 mA <sup>2</sup> s @277V / 50Hz	Size:	153 x 77 x 30 mm
Efficiency at full load:	87%	Weight:	293 g
Power factor at full load:	> 0.9	ACB Loading: Type	B/C10 B/C13 B/C16
Maximum output power:	50 W	Max driver qty	14 18 22
LED output range:	150-1400 mA		

\*Further details can be found at [www.eldoled.com](http://www.eldoled.com)

### CABLE DISTANCE TABLE - XICATO XTM (230V AC)

#### MAXIMUM WIRING DISTANCE AT FULL LOAD

##### ELDOLED SOLODRIVE 20W

AWG VALUE	20	19	18	17	16
Distance (m)	14	18	22	28	36
Distance (ft)	46	59	72	92	118

##### ELDOLED SOLODRIVE 50W

AWG VALUE	20	19	18	17	16
Distance (m)	14	18	22	28	36
Distance (ft)	46	59	72	92	118

Standard fabric cable = 0.75mm<sup>2</sup> CSA (18 AWG). 1.5mm<sup>2</sup> CSA (16 AWG) available on request

### CABLE DISTANCE TABLE - XICATO XIM (48V DC)

For Xicato XIM LED source using 1.5mm<sup>2</sup> cable cores between PSU and luminaire, maximum distance (m) between PSU and luminaire for a given quantity of luminaires below:

LUMENS / LED MODULE	LUMINAIRE QTY													
	1	2	3	4	5	6	7	8	9	10	15	20	25	30
675lm ARTIST	249m	124m	83m	62m	49m	41m	35m	31m	27m	24m	16m	12m	9m	8m
675lm STANDARD	377m	188m	125m	94m	75m	62m	53m	47m	41m	37m	25m	18m	15m	12m
975lm ARTIST	249m	124m	83m	62m	49m	41m	35m	31m	27m	24m	16m	12m	9m	8m
975lm STANDARD	377m	188m	125m	94m	75m	62m	53m	47m	41m	37m	25m	18m	15m	12m
1300lm ARTIST	249m	124m	83m	62m	49m	41m	35m	31m	27m	24m	16m	12m	9m	
1300lm STANDARD	377m	188m	125m	94m	75m	62m	53m	47m	41m	37m	25m	18m	15m	12m
2000lm STANDARD	276m	138m	92m	69m	55m	46m	39m	34m	30m	27m	18m	13m	11m	

### ELECTRICAL CALCULATION - XICATO XIM (48V DC)

It is recommended that 1.5mm<sup>2</sup> CSA cables are used for wiring between PSU and the luminaire (0.75mm<sup>2</sup> CSA cable is used for drop from ceiling rose to shade/LED).

For 1.5mm<sup>2</sup> cable cores:

Max cable distance to furthest luminaire (m)  
= 4760 ÷ Total Luminaires Power (W)

CAUTION: POWER NOT TO EXCEED MAX CURRENT RATING OF CABLE (738 W for 1.5mm<sup>2</sup> / 16A MAX).

PSU RATING TO CONSIDER TOTAL LUMINAIRE POWER + CABLE + SAFETY CONTINGENCY

CONSULT AN ELECTRICAL ENGINEER FOR FURTHER ADVICE

### INSTALLATION EXAMPLES - XICATO XIM (48V DC)

Assuming the use of typical 48V Power Supply Unit power ratings [Inventronics EUV range]:

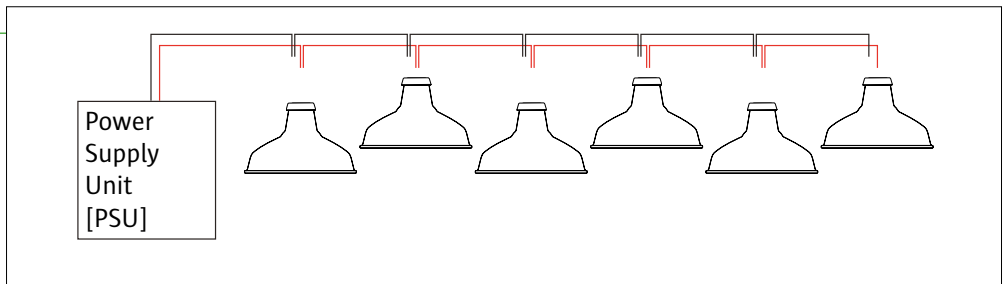
52W    100W    150W    200W    250W    300W    500W

6 x XIM Artist. 1.5mm<sup>2</sup> cable cores

LED output (lm):        1300    2000  
W(max) per luminaire:    17.2    25.4

Total Luminaire Power (W): 103.2    152.4  
[W(max) per luminaire x luminaire qty]

PSU W(min):            150    200  
Max cable distance (m): 46    31



18 x XIM Standard. 1.5mm<sup>2</sup> cable cores

LED output (lm):        1300  
W(max) per luminaire:    12.6

Total Luminaire Power (W): 226.8  
[W(max) per luminaire x luminaire qty]

PSU W(min):            250  
Max cable distance (m): 21

