

FACTORYLUX®

BULKHEAD

YOUR PRODUCT

Thank you for purchasing this Factorylux product. It has been designed and hand built in the UK to give you many years of reliable service. Please read these user instructions carefully. All user instructions available to download at factorylux.com/userinstructions

WARNING

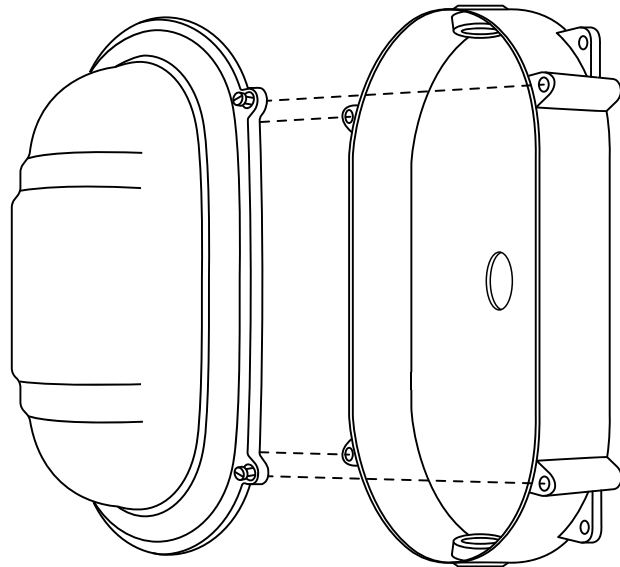
- Installation by a competent person, in accordance with current building and wiring regs. Find an NICEIC registered contractor at factorylux.com
- IP20 unless otherwise stated on luminaire label
- Bathroom installation by authorised contractor only
- Shut off power to the circuit before installation
- Install using supplied LED driver/PSU only (following 'driver wiring diagram')
- Ensure driver/PSU has not been powered for at least one minute before connecting LED
- Driver/PSU must not be thermally insulated
- Adhere to maximum ambient temperature on driver/PSU instructions
- Always use fixings appropriate for the mounting surface (screws supplied may not be suitable)
- The light source contained in this luminaire shall only be replaced by the manufacturer or his service agent or a similar qualified person

TROUBLESHOOTING

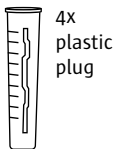
No user serviceable parts. In the event of failure, fault or damage shut off power and contact our technical department via factorylux.com

STAY UP TO DATE

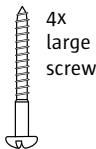
We post regular design and product information via social media and our blog. You can also contact us via instant support or email support@factorylux.com



WHAT'S INCLUDED



4x plastic plug



4x large screw



4x medium screw

TOOLS REQUIRED

- Drill + 6mm masonry bit
- Screwdriver suitable for screws

INSTALLATION NOTES

- 20mm threaded entry hole requires securing to a suitable 20mm threaded cable outlet (i.e conduit or compatible gland)
- Suitable thread-locking fluid recommended to prevent loosening of 20mm thread from connected parts
- We recommend using ferrules with crimping pliers to crimp exposed stranded conductors. It's simpler, neater and safer

HANDLING & CLEANING

- **WARNING:** Shut off power and allow to cool
- Wipe gently with a dry, soft, cotton cloth
- Cleaning products, scratching, abrasion, damp, oils, liquids etc may have a detrimental effect

INSTALLATION

WARNING: Light fitting to be installed and earthed in accordance with current wiring and building regs

WARNING: Check product label and order notes regarding whether product is XIM or XTM, and the driver is separate to the luminaire (REMOTE), or contained within the luminaire (INTEGRAL)

WARNING: Do not connect mains voltage directly to led inside a remote driver luminaire

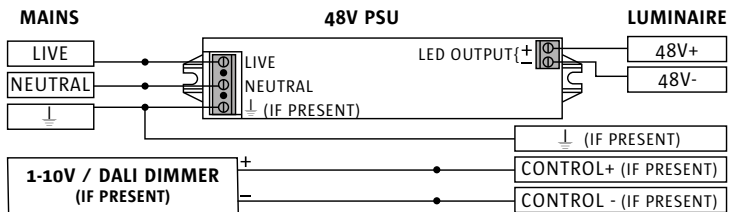
1. Place base against mounting surface and mark 4x hole centres
2. Drill 4 x 6mm holes x 30mm deep
3. Insert plastic plugs into holes
4. Remove glass cover (Integral BULKHEADs only)
5. Reveal 20mm threaded entry hole and attach chosen cable outlet
6. Pull supply cable through entry hole and fix base to mounting surface using supplied long screws (alternatively, use supplied medium screws only to fix to a timber surface)
7. Use supplied WAGOs inside luminaire to make connections according to the relevant installation diagram. **NOTE:** for remote driver luminaires it is not necessary to make any electrical connections inside the luminaire:
 - Flip integrated orange lever up to open position
 - Insert exposed conductor to stopping point
 - Return lever to closed position
8. Fit glass cover to body and secure with fitting screws **CAUTION:** ensure rubber gasket is positioned correctly and screws firmly secured

INSTALLATION DIAGRAMS

NOTE: For rated voltage and supply current, see light fitting. For rated wattage, refer to product data sheet

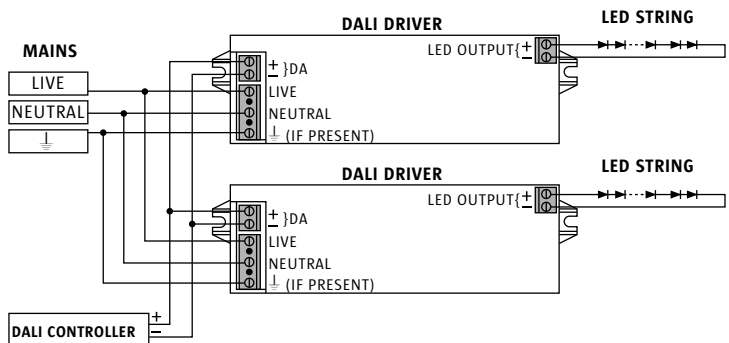
WARNING: Your driver has been specified to match the power and thermal requirements of your Xicato LED module. Using an alternative driver may invalidate your 5 year colour consistency warranty

INSTALLATION DIAGRAM: 48V DC



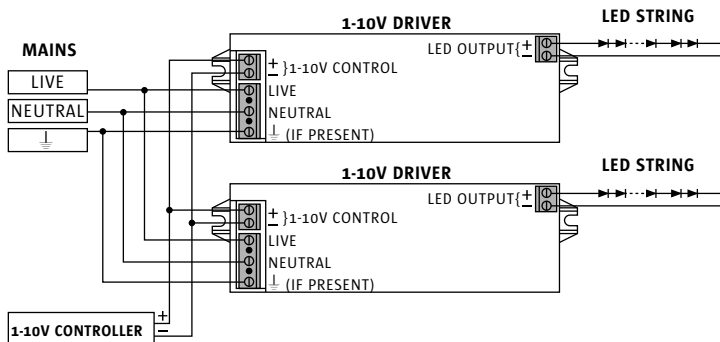
* Diagram is indicative, check terminal locations on your driver before wiring

INSTALLATION DIAGRAM: DALI



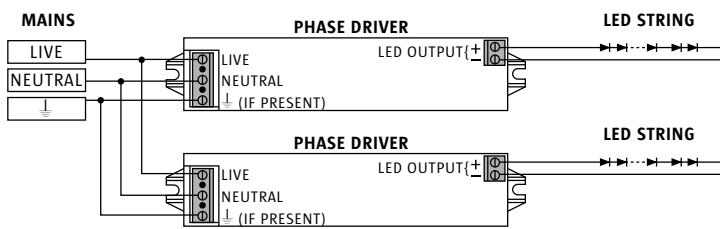
* Diagram is indicative, check terminal locations on your driver before wiring

INSTALLATION DIAGRAM: 0-10V / 1-10V



* Diagram is indicative, check terminal locations on your driver before wiring

INSTALLATION DIAGRAM: PHASE DIMMING



* Diagram is indicative, check terminal locations on your driver before wiring