

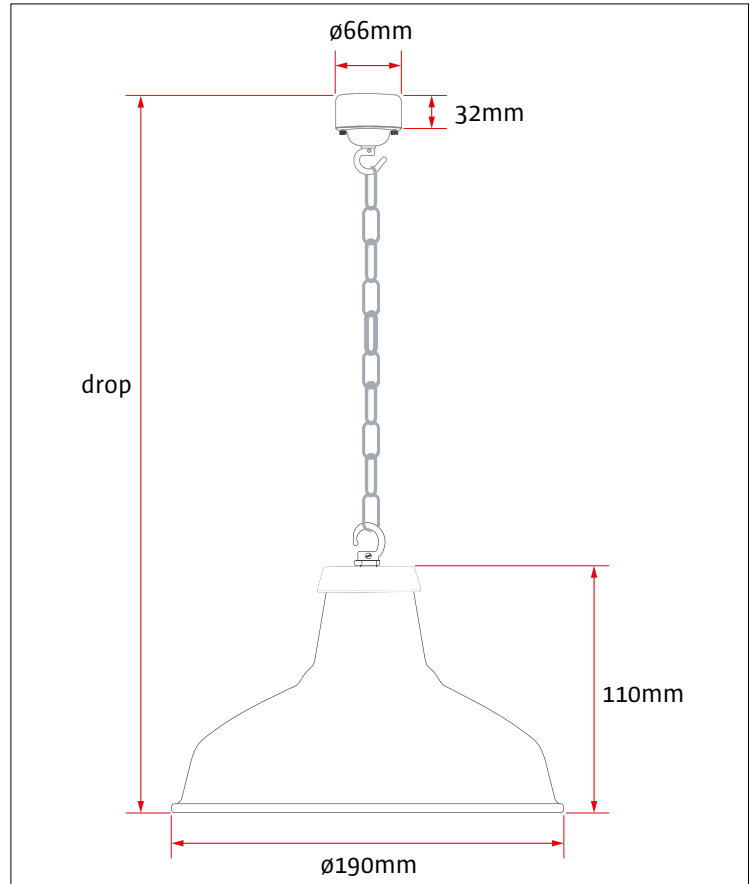
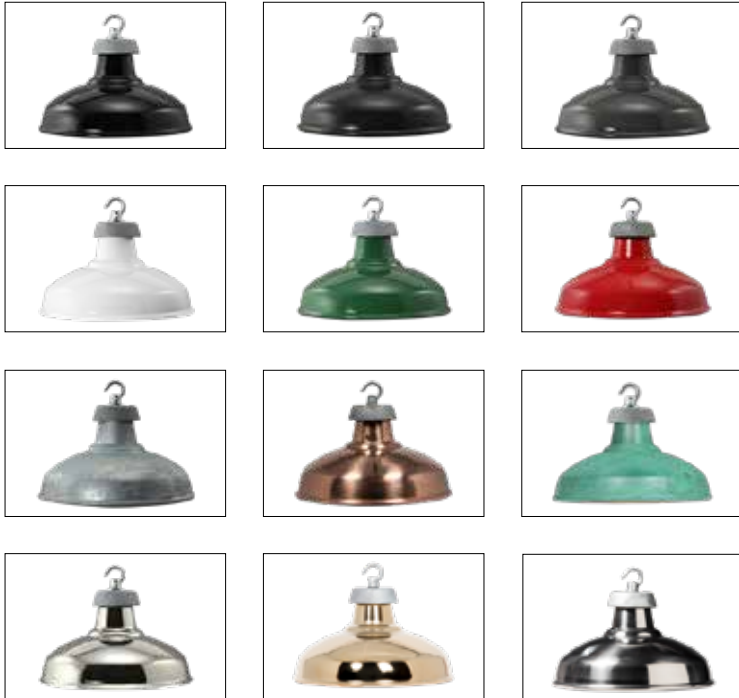


PERFORMANCE DATA

Light Source:	Xicato XTM Xicato XIM	
Supply Voltage:	230V AC [Xicato XTM with remote driver] 48V DC [Xicato XIM, no remote driver]	
IP Rating:	IP20 / IP65	
CRI:	+80 [Xicato Standard Series] +95 [Xicato Artist Series]	
Luminous Flux:	0 - 1300lm @ +80 CRI [XTM Standard] 0 - 1000lm @ +95 CRI [XTM Artist] 0 - 1000lm @ +80 CRI [XIM Standard] 0 - 500lm @ +95 CRI [XIM Artist]	
Luminaire Efficacy:	up to 160lm/w	
Colour Temperature:	2700K, 3000K, 3500K, 4000K	
Colour Consistency:	≤ 1x2 MacAdam Ellipses at 70°C, B0	
Colour Stability:	<0.003 Δ u',v' 50,000 hrs	
Lumen Maintenance:	50,000 hrs L70/B0	
Beam Angles:	15°, 25°, 38°, 60°, wide diffused, ultra wide diffused UGR Filter Lens	
Accessories:	Concentric Louvre Frosted Lens	Spreader Lens
Operating Temp:	Ambient -20°C/+30°C	
Control:	Switched 1-10V Bluetooth (Xicato GaLaXi)	DALI Phase Dim

PRODUCT DESCRIPTION

The REFLECTOR Small is made from heavy gauge steel finished with vitreous enamel in a range of classic colours, galvanised, silver or gold plated, solid copper or verdigris, and coupled with Xicato light sources. All Factorylux pendants are made in the UK and tested to BS EN 60598. Thermally validated and covered by Xicato's 5-year colour consistency warranty.



CONSTRUCTION

Shade Material:	Low Carbon Steel	Chain Finish:	Black, Raw Steel, Galvanised, Silver, Bronze, Gold
Shade Finish:	Galvanised	Weight:	1.10 kg (based on 2000mm drop)
Vitreous Enamel:	Red, Green, White, Black, Matt Black, Grey	Mounting:	Hooked Pattress TRACK-PIPE® Hook Track Adapter Ceiling driver box / knockout box
Plated:	Gold, Nickel Silver, Bronze	Mounting Colour:	Black, Galvanised/Raw Custom colour on request
Solid metal:	Copper, Verdigris Copper, Stainless Steel	Manufacture:	UK
Cable Type:	2 core round, fabric covered, 0.75mm CSA		
Cable Colours:	Jet Black, Bright Red, Grey, White Custom colour on request		

SPECIFICATION / PRODUCT CODE

PRODUCT NAME: REFLECTOR S [REF-S] REFLECTOR IP65 S [REF-IP-S]* *3800lm max		REF-L / XIM / R / BHP / B500 / BCH / L / 95ART / 2700 / 25 / 1300 / BLE				CONTROL DALI [DALI] 1-10V [1-10V] Phase [Phase] None [None] Bluetooth [BLE]	
LED MODULE XICATO XTM (230V AC) [XTM] XICATO XIM (48V DC) [XIM]		MOUNTING TRACK-PIPE® [TP] Hooked Pattress Black [BHP] Hooked Pattress Galv [GalHP] 3-Circuit Track [3Track]		CABLE COLOUR / DROP: [B]lack 0-5000mm [W]hite [5000] [R]ed [Gr]ey		XICATO SERIES Standard 80Stan Artist 95Art ACCESSORIES Concentric Louvre - Raw [L] Spreader Lens [S] Frosted Lens [F] None [None] Combine accessories using "+" symbol in specification.	
SHADE COLOUR: [Gal]vanised [R]ed [Gn] Green [W]hite [B]lack [Matt] Black [Gr] Grey [Br]onze [Go]ld [C]opper [Si]lver [V]erdigris		CHAIN FINISH Black [BCH] Galvanised [GalCH] White Roller [WRol]		COLOUR TEMPERATURE 2700K [2700] 3000K [3000] 3500K [3500] 4000K [4000] Note: Vibrant 3000K only Beauty 2700K only		LED LUMENS 0-1300lm [XXXX]* * XTM Art 1000lm max. * XIM Std 1000lm max. * XIM Art 500lm max. BEAM ANGLE 15° [15]* 25° [25] 38° [38] 60° [60] Wide diffused [Wide] Ultra-wide [Ultra] UGR Filter [UGR] *720lm max	

TYPICAL LED SPECIFICATION EXAMPLES

XTM Standard +80 CRI

LED Luminous Flux:	720lm	965lm	1300lm
Power Consumption (typ):	4.5W	6.6W	9.5W
Current (mA):	350mA	500mA	700mA
Luminaire Efficacy:	160lm/W	146lm/W	137lm/W

XTM Artist +95 CRI

LED Luminous Flux:	720lm	1000lm
Power Consumption (typ):	6.3W	9.2W
Current (mA):	350mA	500mA
Luminaire Efficacy:	114lm/W	104lm/W

XIM Standard +80 CRI

LED Luminous Flux:	650lm	1000lm
Power Consumption (typ):	5.7W	8.6W
Power Consumption (max):	12.6W	12.6W
Luminaire Efficacy:	115lm/W	113lm/W

XIM Artist +95 CRI

LED Luminous Flux:	500lm
Power Consumption (typ):	7.2W
Power Consumption (max):	7.4W
Luminaire Efficacy:	88lm/W

DRIVERS [CONSTANT CURRENT] - XICATO XTM (230V AC)

For Xicato XTM LED source, the following 2 driver types are used.

Typically, for output under 2000lm: 20W eldoLED SOLOdrive; for over 2000lm: 50W eldoLED SOLOdrive.



ElDoLED 20W SOLOdrive

Nominal input voltage:	220-240V AC	Control Protocol:	DALI (SOLOdrive 240/A) 1-10V (SOLOdrive 241/A)
Maximum input current:	0.15 A	Dimming range:	100% - 0.1%
Maximum inrush current:	1 A's @230V / 50Hz	Size:	160 x 42 x 31 mm
Efficiency at full load:	80%	Weight:	125 g
Power factor at full load:	> 0.95	ACB Loading:	Type B/C10 B/C13 B/C16
Maximum output power:	20 W	Max driver qty	66 86 106
LED output range:	150-1050 mA		

DRIVER HOUSING OPTIONS - XICATO XTM (230V AC)



KNOCKOUT DRIVER BOX

Compatibility:	ElDoLED 20W SOLOdrive
Size:	150 x 150 x 55mm
Mounting:	Ceiling Wall
Notes:	Standard solution for housing drivers where no void available.



CEILING DRIVER BOX

Compatibility:	ElDoLED 20W SOLOdrive
Size:	142 x 80 x 40mm
Mounting:	Ceiling Wall
Notes:	For mounting smaller drivers next to ceiling hooks where no void available.



TRACK-PIPE[®] HOOK BOX

Compatibility:	ElDoLED 20W SOLOdrive
Size:	145 x 80 x 46mm
Mounting:	TRACK-PIPE [®]
Notes:	For mounting drivers for pendants to TRACK-PIPE [®] . Can be mounted vertically or horizontally.

* Please let us know if KNOCKOUT BOX or SMALL CEILING BOX are required

CABLE DISTANCE TABLE - XICATO XTM (230V AC)

MAXIMUM WIRING DISTANCE AT FULL LOAD

ELDOLED SOLODRIVE 20W

AWG VALUE	20	19	18	17	16
Distance (m)	14	18	22	28	36
Distance (ft)	46	59	72	92	118

CABLE DISTANCE TABLE - XICATO XIM (48V DC)

For Xicato XIM LED source using 1.5mm² cable cores between PSU and luminaire, maximum distance (m) between PSU and luminaire for a given quantity of luminaires below:

LUMENS / LED MODULE	LUMINAIRE QTY													
	1	2	3	4	5	6	7	8	9	10	15	20	25	30
500lm ARTIST	249m	124m	83m	62m	49m	41m	35m	31m	27m	24m	16m	12m	9m	8m
675lm STANDARD	377m	188m	125m	94m	75m	62m	53m	47m	41m	37m	25m	18m	15m	12m
1000lm STANDARD	377m	188m	125m	94m	75m	62m	53m	47m	41m	37m	25m	18m	15m	12m

ELECTRICAL CALCULATION - XICATO XIM (48V DC)

It is recommended that 1.5mm² CSA cables are used for wiring between PSU and the luminaire (0.75mm² CSA cable is used for drop from ceiling rose to shade/LED).

For 1.5mm² cable cores:

Max cable distance to furthest luminaire (m)
= 4760 ÷ Total Luminaires Power (W)

CAUTION: POWER NOT TO EXCEED MAX CURRENT RATING OF CABLE (738 W for 1.5mm² / 16A MAX).

PSU RATING TO CONSIDER TOTAL LUMINAIRE POWER + CABLE + SAFETY CONTINGENCY

CONSULT AN ELECTRICAL ENGINEER FOR FURTHER ADVICE

INSTALLATION EXAMPLES - XICATO XIM (48V DC)

Assuming the use of typical 48V Power Supply Unit power ratings [Inventronics EUV range]:

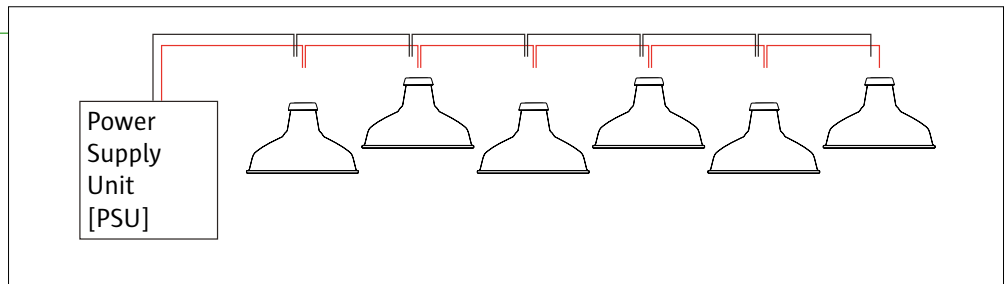
52W 100W 150W 200W 250W 300W 500W

6 x XIM Artist. 1.5mm² cable cores

LED output (lm): 500
W(max) per luminaire: 7.4

Total Luminaire Power (W): 44.4
[W(max) per luminaire x luminaire qty]

PSU W(min): 52
Max cable distance (m): 107



18 x XIM Standard. 1.5mm² cable cores

LED output (lm): 1300
W(max) per luminaire: 12.6

Total Luminaire Power (W): 226.8
[W(max) per luminaire x luminaire qty]

PSU W(min): 250
Max cable distance (m): 21

